

JVC

SERVICE MANUAL

COMPACT COMPONENT SYSTEM

MX-GB6, MX-GB5

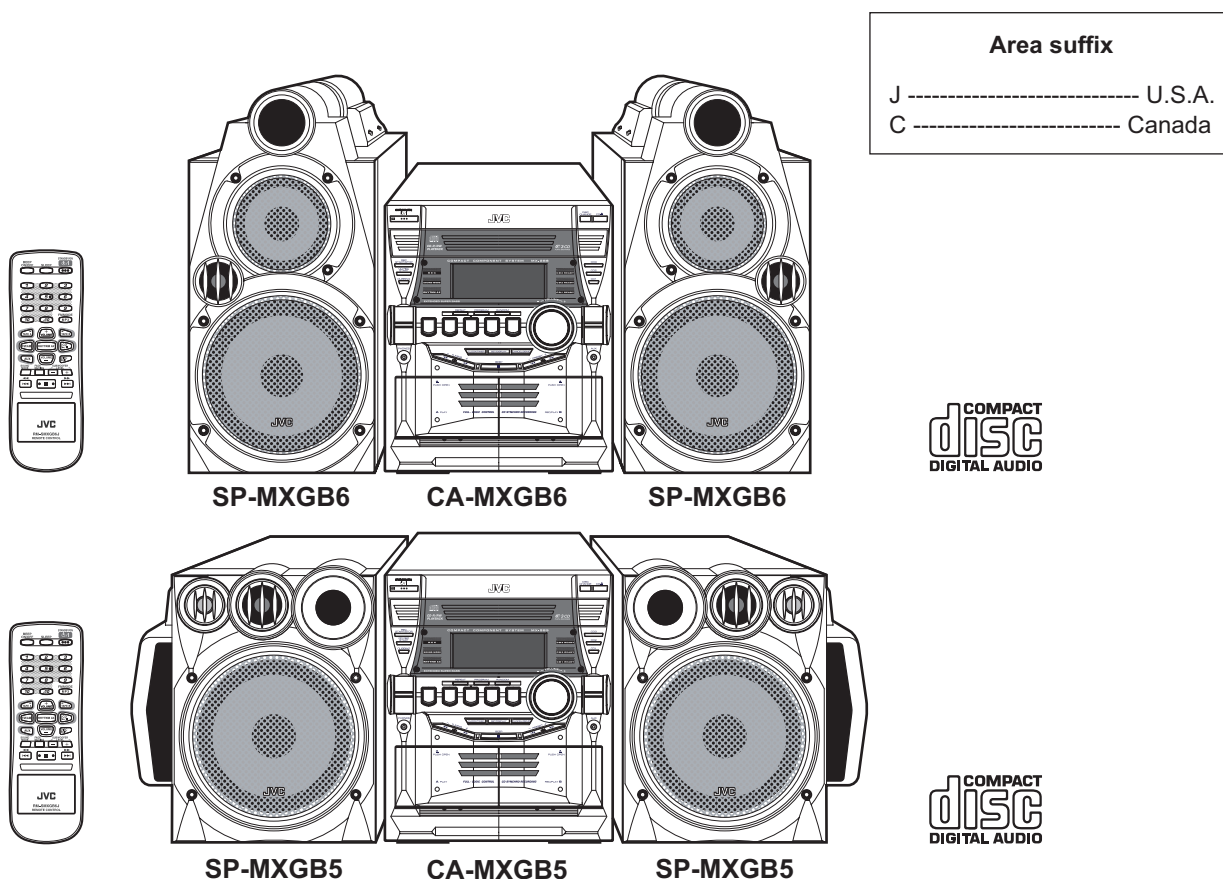


TABLE OF CONTENTS

1	PRECAUTION	1-4
2	SPECIFIC SERVICE INSTRUCTIONS	1-7
3	DISASSEMBLY	1-8
4	ADJUSTMENT	1-31
5	TROUBLESHOOTING	1-36

SPECIFICATION

Amplifier section-CA-MXGB6

Output Power	SUBWOOFERS		170 W per channel, min. RMS, driven into 6 Ω at 63 Hz with no more than 10% total harmonic distortion.
	MAIN SPEAKERS		80 W per channel, min. RMS, driven into 4 Ω at 1 kHz with no more than 10% total harmonic distortion.
	Audio input sensitivity/Impedance (at 1 kHz, measured at MAIN SPEAKERS)		AUX:400 mV/50 k Ω
	Speakers/Impedance	Subwoofers	6 Ω - 16 Ω
Main speakers		4 Ω - 8 Ω	
Tuner	FM tuning range	87.50 MHz - 108.00 MHz	
	AM tuning range	530 kHz - 1 710 kHz	
CD player	CD Capacity	3 CDs	
	Dynamic range	85 dB	
	Signal-to-noise ratio	85 dB	
Cassette deck	Frequency response Normal (type I)	50 Hz - 14 000 Hz	
	Wow and flutter	0.15% (WRMS)	
General	Power requirement	AC 120 V , 60 Hz	
	Power consumption	230 W (at operation)	
		23.8 W (on standby)	
	Dimensions (approx.)	270 mm \times 317 mm \times 480 mm (W/H/D) (10 11/16 in. \times 12 1/2 in. \times 18 15/16 in.)	
Mass (approx.)	10.5 kg (23.2 lbs)		

Speaker section-SP-MXGB6

Type	3-way bass-reflex type	
Speaker units	Subwoofer	20 cm (7 7/8 in.) cone \times 1
	Main Woofer	12 cm (4 3/4 in.) cone \times 1
	Tweeter	5 cm (2 in.) cone \times 1
Power handling capacity	Subwoofer	170 W
	Main speaker	80 W
Impedance	Subwoofer	6 Ω
	Main speaker	4 Ω
Frequency range	Subwoofer	25 Hz - 100 Hz
	Main speaker	100 Hz - 20 000 Hz
Sound pressure level	Subwoofer	75 dB/W·m
	Main speaker	82 dB/W·m
Dimensions (approx.)	233 mm \times 456 mm \times 360 mm (W/H/D) (9 3/16 in. \times 18 in. \times 14 3/16 in.)	
Mass (approx.)	6.6 kg (14.6 lbs) each	

Design and specifications are subject to change without notice.

Amplifier section-CA-MXGB5

Output Power	SUBWOOFERS		160 W per channel, min. RMS, driven into 6 Ω at 63 Hz with no more than 10% total harmonic distortion.
	MAIN SPEAKERS		70 W per channel, min. RMS, driven into 4 Ω at 1 kHz with no more than 10% total harmonic distortion.
	Audio input sensitivity/Impedance (at 1 kHz, measured at MAIN SPEAKERS)		AUX:400 mV/50 k Ω
	Speakers/Impedance	Subwoofers	6 Ω - 16 Ω
Main speakers		4 Ω - 8 Ω	
Tuner	FM tuning range		87.50 MHz - 108.00 MHz
	AM tuning range		530 kHz - 1 710 kHz
CD player	CD Capacity		3 CDs
	Dynamic range		85 dB
	Signal-to-noise ratio		85 dB
Cassette deck	Frequency response Normal (type I)		50 Hz - 14 000 Hz
	Wow and flutter		0.15% (WRMS)
General	Power requirement		AC 120 V , 60 Hz
	Power consumption		220 W (at operation)
			23.3 W (on standby)
	Dimensions (approx.)		270 mm \times 317 mm \times 480 mm (W/H/D) (10 11/16 in. \times 12 1/2 in. \times 18 15/16 in.)
Mass (approx.)		10 kg (22.1 lbs)	

Speaker section-SP-MXGB5

Type	4-way bass-reflex type	
Speaker units	Subwoofer	16 cm (6 5/16 in.) cone \times 1
	Main Woofer	16 cm (6 5/16 in.) cone \times 1
	Tweeter	2 cm (13/16 in.) dome \times 1
	Midrange	5 cm (2 in.) cone \times 1
	Tweeter	2 cm (13/16 in.) dome \times 1
Power handling capacity	Subwoofer	160 W
	Main speaker	70 W
Impedance	Subwoofer	6 Ω
	Main speaker	4 Ω
Frequency range	Subwoofer	25 Hz - 90 Hz
	Main speaker	90 Hz - 20 000 Hz
Sound pressure level	Subwoofer	75 dB/W·m
	Main speaker	86 dB/W·m
Dimensions (approx.)		302.5 mm \times 325.5 mm \times 345 mm (W/H/D) (11 15/16 in. \times 12 7/8 in. \times 13 5/8 in.)
Mass (approx.)		6.6 kg (14.6 lbs) each

Design and specifications are subject to change without notice.

SECTION 1 PRECAUTION

1.1 Safety Precautions

- (1) This design of this product contains special hardware and many circuits and components specially for safety purposes. For continued protection, no changes should be made to the original design unless authorized in writing by the manufacturer. Replacement parts must be identical to those used in the original circuits. Services should be performed by qualified personnel only.
- (2) Alterations of the design or circuitry of the product should not be made. Any design alterations of the product should not be made. Any design alterations or additions will void the manufacturer's warranty and will further relieve the manufacturer of responsibility for personal injury or property damage resulting therefrom.
- (3) Many electrical and mechanical parts in the products have special safety-related characteristics. These characteristics are often not evident from visual inspection nor can the protection afforded by them necessarily be obtained by using replacement components rated for higher voltage, wattage, etc. Replacement parts which have these special safety characteristics are identified in the Parts List of Service Manual. Electrical components having such features are identified by shading on the schematics and by (Δ) on the Parts List in the Service Manual. The use of a substitute replacement which does not have the same safety characteristics as the recommended replacement parts shown in the Parts List of Service Manual may create shock, fire, or other hazards.
- (4) The leads in the products are routed and dressed with ties, clamps, tubings, barriers and the like to be separated from live parts, high temperature parts, moving parts and/or sharp edges for the prevention of electric shock and fire hazard. When service is required, the original lead routing and dress should be observed, and it should be confirmed that they have been returned to normal, after reassembling.

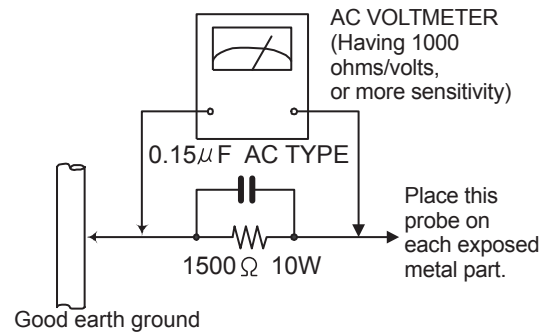
(5) Leakage shock hazard testing

After reassembling the product, always perform an isolation check on the exposed metal parts of the product (antenna terminals, knobs, metal cabinet, screw heads, headphone jack, control shafts, etc.) to be sure the product is safe to operate without danger of electrical shock. Do not use a line isolation transformer during this check.

- Plug the AC line cord directly into the AC outlet. Using a "Leakage Current Tester", measure the leakage current from each exposed metal part of the cabinet, particularly any exposed metal part having a return path to the chassis, to a known good earth ground. Any leakage current must not exceed 0.5mA AC (r.m.s.).
- Alternate check method
Plug the AC line cord directly into the AC outlet. Use an AC voltmeter having, 1,000 Ω per volt or more sensitivity in the following manner. Connect a 1,500 Ω 10W resistor paralleled by a 0.15 μ F AC-type capacitor between an exposed metal part and a known good earth ground. Measure the AC voltage across the resistor with the AC

voltmeter.

Move the resistor connection to each exposed metal part, particularly any exposed metal part having a return path to the chassis, and measure the AC voltage across the resistor. Now, reverse the plug in the AC outlet and repeat each measurement. Voltage measured any must not exceed 0.75 V AC (r.m.s.). This corresponds to 0.5 mA AC (r.m.s.).



1.2 Warning

- (1) This equipment has been designed and manufactured to meet international safety standards.
- (2) It is the legal responsibility of the repairer to ensure that these safety standards are maintained.
- (3) Repairs must be made in accordance with the relevant safety standards.
- (4) It is essential that safety critical components are replaced by approved parts.
- (5) If mains voltage selector is provided, check setting for local voltage.

1.3 Caution

Burrs formed during molding may be left over on some parts of the chassis.

Therefore, pay attention to such burrs in the case of pre-forming repair of this system.

1.4 Critical parts for safety

In regard with component parts appearing on the silk-screen printed side (parts side) of the PWB diagrams, the parts that are printed over with black such as the resistor (■), diode (■) and ICP (●) or identified by the " Δ " mark nearby are critical for safety. When replacing them, be sure to use the parts of the same type and rating as specified by the manufacturer. (This regulation does not Except the J and C version)

1.5 Preventing static electricity

Electrostatic discharge (ESD), which occurs when static electricity stored in the body, fabric, etc. is discharged, can destroy the laser diode in the traverse unit (optical pickup). Take care to prevent this when performing repairs.

1.5.1 Grounding to prevent damage by static electricity

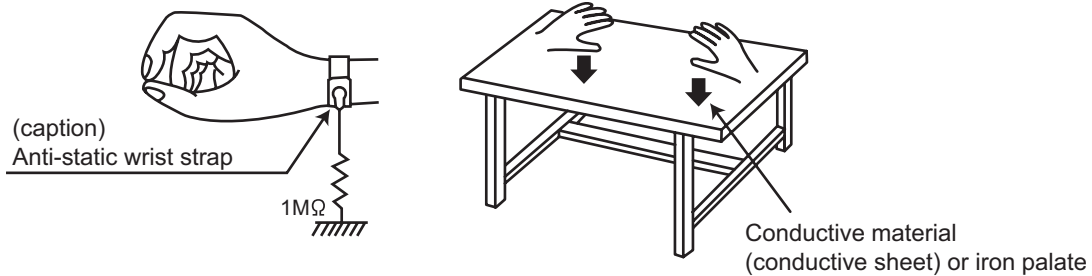
Static electricity in the work area can destroy the optical pickup (laser diode) in devices such as laser products. Be careful to use proper grounding in the area where repairs are being performed.

(1) Ground the workbench

Ground the workbench by laying conductive material (such as a conductive sheet) or an iron plate over it before placing the traverse unit (optical pickup) on it.

(2) Ground yourself

Use an anti-static wrist strap to release any static electricity built up in your body.



(3) Handling the optical pickup

- In order to maintain quality during transport and before installation, both sides of the laser diode on the replacement optical pickup are shorted. After replacement, return the shorted parts to their original condition. (Refer to the text.)
- Do not use a tester to check the condition of the laser diode in the optical pickup. The tester's internal power source can easily destroy the laser diode.

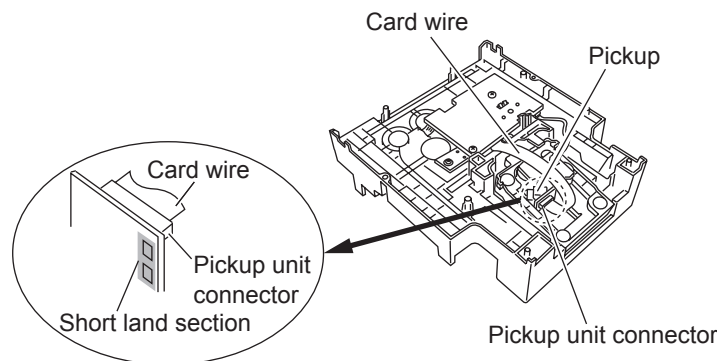
1.6 Handling the traverse unit (optical pickup)

- (1) Do not subject the traverse unit (optical pickup) to strong shocks, as it is a sensitive, complex unit.
- (2) Cut off the shorted part of the flexible cable using nippers, etc. after replacing the optical pickup. For specific details, refer to the replacement procedure in the text. Remove the anti-static pin when replacing the traverse unit. Be careful not to take too long a time when attaching it to the connector.
- (3) Handle the flexible cable carefully as it may break when subjected to strong force.
- (4) It is not possible to adjust the semi-fixed resistor that adjusts the laser power. Do not turn it.

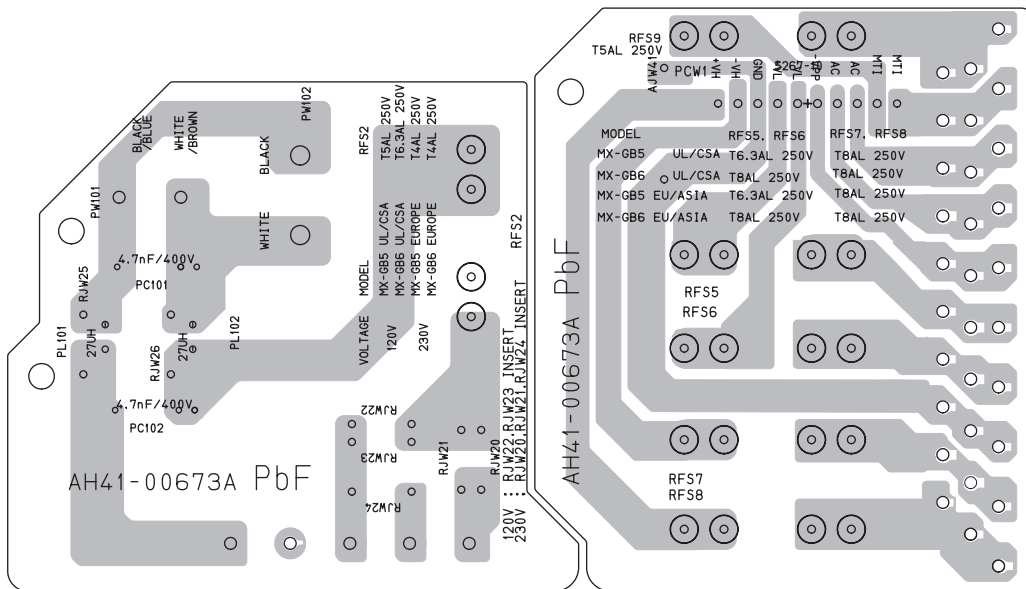
1.7 Attention when traverse unit is decomposed

***Please refer to "Disassembly method" in the text for the pickup unit.**

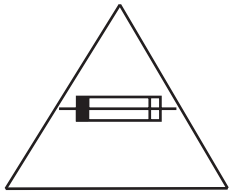
- Apply solder to the short land sections before the flexible wire is disconnected from the connector on the servo board. (If the flexible wire is disconnected without applying solder, the pickup may be destroyed by static electricity.)
- In the assembly, be sure to remove solder from the short land sections after connecting the flexible wire.



1.8 Importance administering point on the safety



For USA and Canada / pour Etats - Unis d' Amérique et Canada



Caution: For continued protection against risk of fire, replace only with same type 5 A/250 V[GB5] (6.3 A/250 V[GB6]) for RFS2, 6.3 A/250 V[GB5] (8 A/250 V[GB6]) for RFS5 and RFS6, 8 A/250 V for RFS7 and RFS8, 5 A/250 V for RFS9.

This symbol specifies type of fast operating fuse.

Précaution: Pour éviter risques de feux, remplacez le fusible de sûreté de RFS2 comme le même type que 5 A/250 V[GB5](6.3 A/250 V[GB6]), 6,3 A/250 V[GB5](8 A/250 V[GB6]) pour RFS5 et RFS6, 8 A/250 V pour RFS7 et RFS8, et 5 A/250 V pour RFS9.

Ce sont des fusibles sûretés qui fonctionnent rapide.

SECTION 2
SPECIFIC SERVICE INSTRUCTIONS

This service manual does not describe SPECIFIC SERVICE INSTRUCTIONS.

SECTION 3 DISASSEMBLY

3.1 Main body section

3.1.1 Removing the top cabinet

(See Figs.1 to 3)

- (1) From the back side of the main body, remove the three screws **A** attaching the top cabinet. (See Fig.1.)
- (2) From the both sides of the main body, remove the six screws **B** attaching the top cabinet. (See Figs.2 and 3.)
- (3) Remove the top cabinet from the main body while lifting the rear section of the top cabinet in the direction of the arrow. (See Figs.2 and 3.)

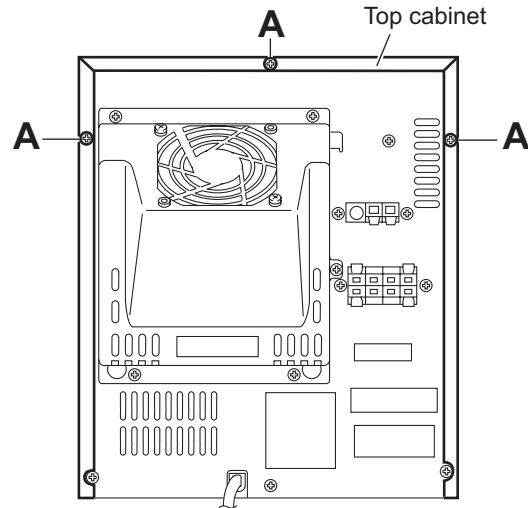


Fig.1

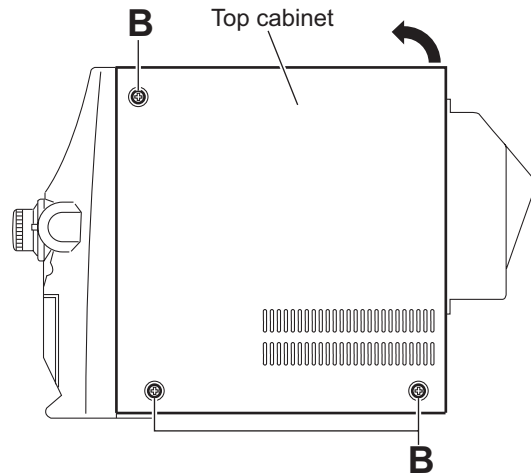


Fig.2

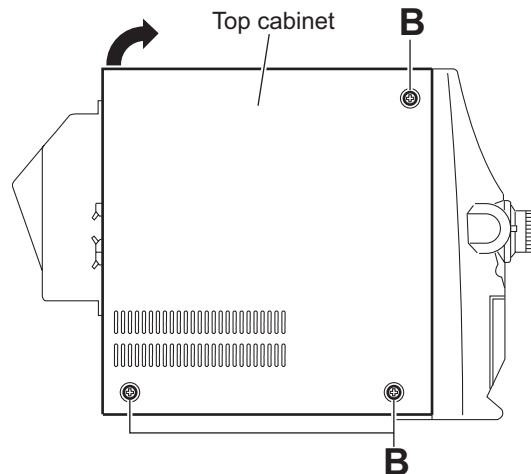


Fig.3

3.1.2 Removing the CD changer mechanism assembly (See Figs.4 to 10)

- Prior to performing the following procedures, remove the top cabinet.

- (1) From the bottom side of the CD changer mechanism assembly, turn the gear cam in the direction of the arrow and draw the tray disc out of the CD changer mechanism assembly in the direction of the arrow 1. (See Figs.4 and 5.)
- (2) Remove the CD door assembly from the tray disc in the direction of the arrow 2 and push in the tray disc. (See Fig.5.)
- (3) From the left side of the main body, remove the spacers fixing the wire. (See Fig.5.)
- (4) From the right side of the main body, disconnect the wire from the connector [CW104](#) on the main board. (See Fig.6.)
- (5) Disconnect the card wire from the connector [CW105](#) on the CD sub board. (See Fig.6.)
- (6) From the back side of the main body, remove the five screws **C** attaching the heat sink cover. (See Fig.7.)

Reference:

It is not necessary to disconnect the wire of the fan motor. (See Fig.8.)

- (7) Remove the two screws **D** attaching the CD changer mechanism assembly. (See Fig.8.)
- (8) From the both sides of the main body, remove the two screws **E** attaching the CD changer mechanism assembly. (See Figs.9 and 10.)
- (9) Take out the CD changer mechanism assembly in the direction of the arrow 2 while extending the rear cabinet in the direction of the arrow 1. (See Figs.9 and 10.)

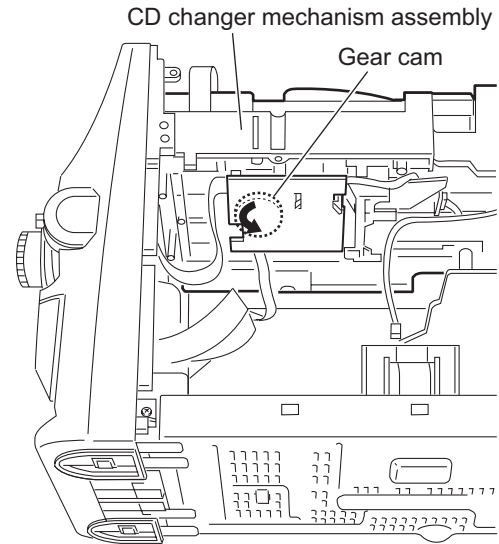


Fig.4

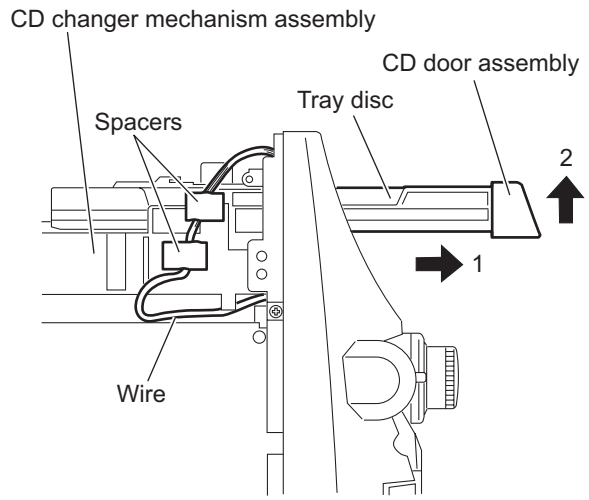


Fig.5

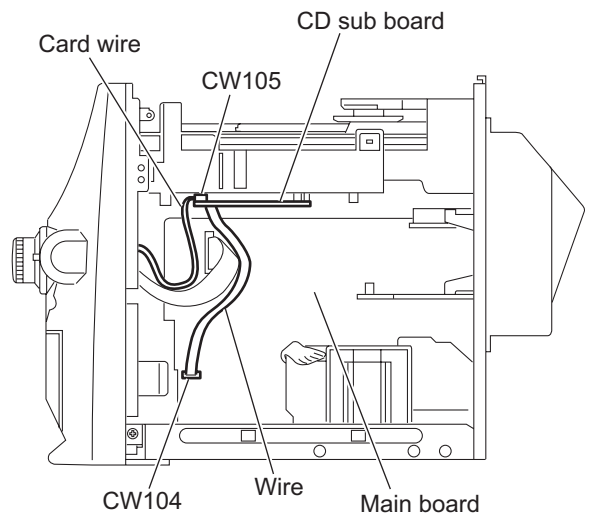


Fig.6

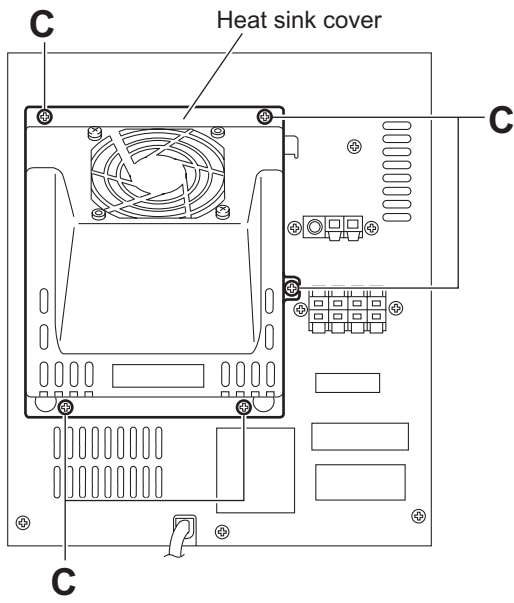


Fig.7

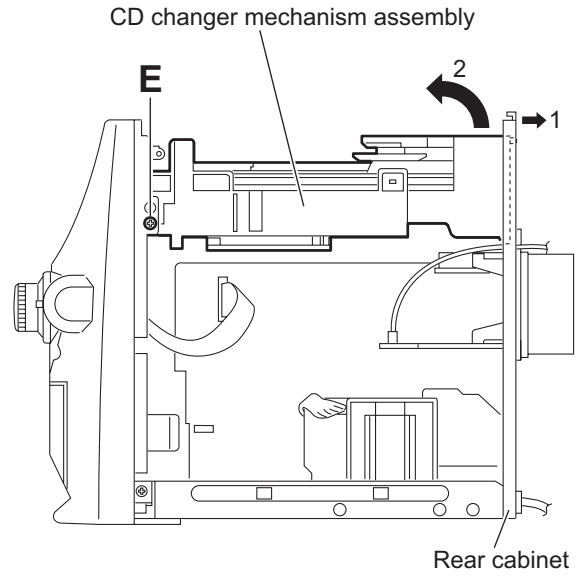


Fig.10

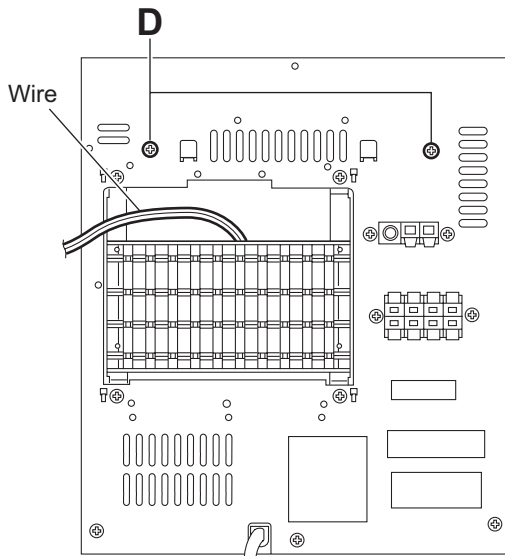


Fig.8

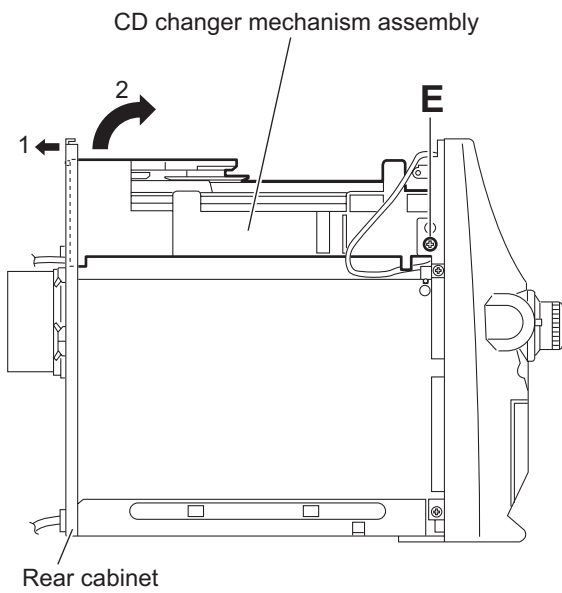
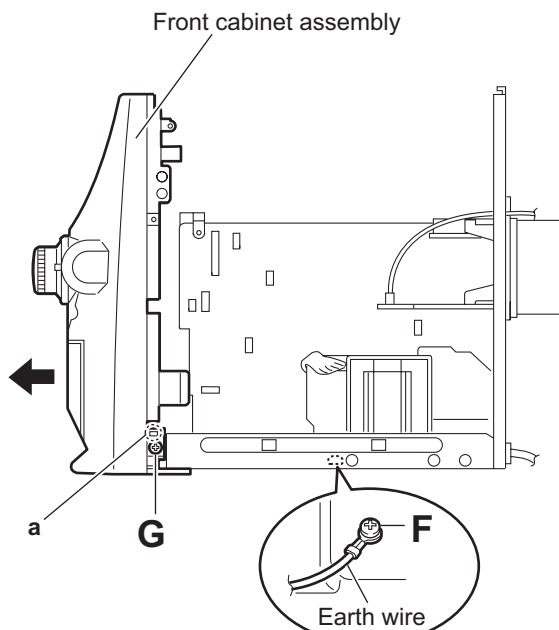
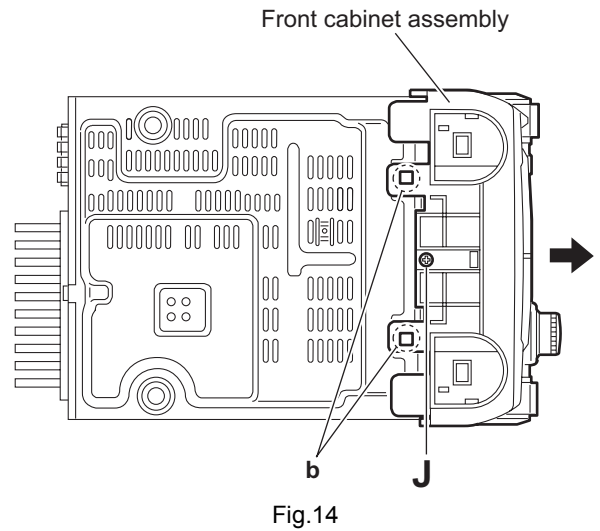
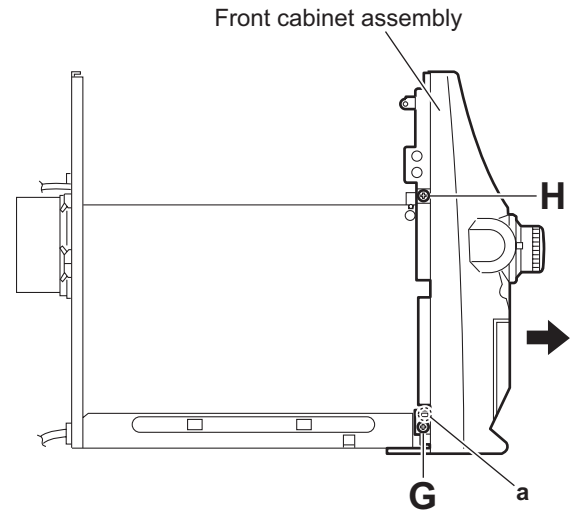
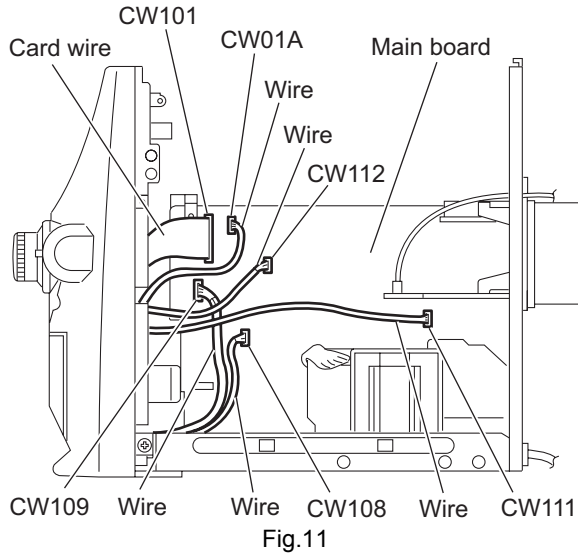


Fig.9

3.1.3 Removing the front cabinet assembly (See Figs.11 to 14)

- Prior to performing the following procedures, remove the top cabinet and CD changer mechanism assembly.
 - (1) From the forward side of the main board, disconnect the card wire from the connector [CW101](#). (See Fig.11.)
 - (2) Disconnect the wires from the connectors ([CW01A](#), [CW108](#), [CW109](#), [CW111](#), [CW112](#)) on the main board. (See Fig.11.)
 - (3) From the top side of the main body, remove the screw **F** attaching the earth wire. (See Fig.12.)
 - (4) From the both sides of the main body, remove the two screws **G** attaching the front cabinet assembly. (See Figs.12 and 13.)
 - (5) From the left side of the main body, remove the screw **H** attaching the front cabinet assembly. (See Fig.13.)
 - (6) From the bottom side of the main body, remove the screw **J** attaching the front cabinet assembly. (See Fig.14.)
 - (7) Release the two joints **a** and two joints **b**, remove the front cabinet assembly in the direction of the arrow. (See Figs.12 to 14.)



3.1.4 Removing the rear cabinet
(See Figs.15 to 17.)

- Prior to performing the following procedures, remove the top cabinet.
 - (1) From the right side of the main body, disconnect the wires from the connector **ACW3** on the amplifier board. (See Fig.15.)
 - (2) From the back side of the main body, remove the five screws **K** attaching the heat sink cover. (See Fig.16.)
 - (3) Remove the thirteen screws **L** attaching the rear cabinet. (See Fig.17.)

3.1.5 Removing the fan motor
(See Figs.15, 16 and 18)

- Prior to performing the following procedures, remove the top cabinet.
 - (1) From the right side of the main body, disconnect the wires from the connector **ACW3** on the amplifier board. (See Fig.15.)
 - (2) From the back side of the main body, remove the five screws **K** attaching the heat sink cover. (See Fig.16.)
 - (3) From the back side of the heat sink cover, remove the two screws **M** attaching the fan motor. (See Fig.18.)

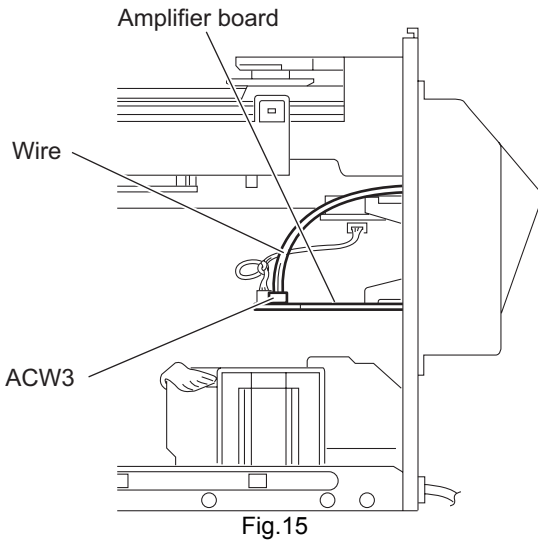


Fig.15

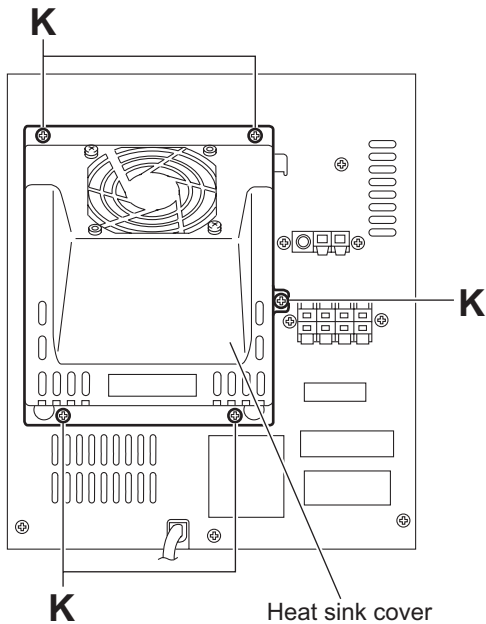


Fig.16

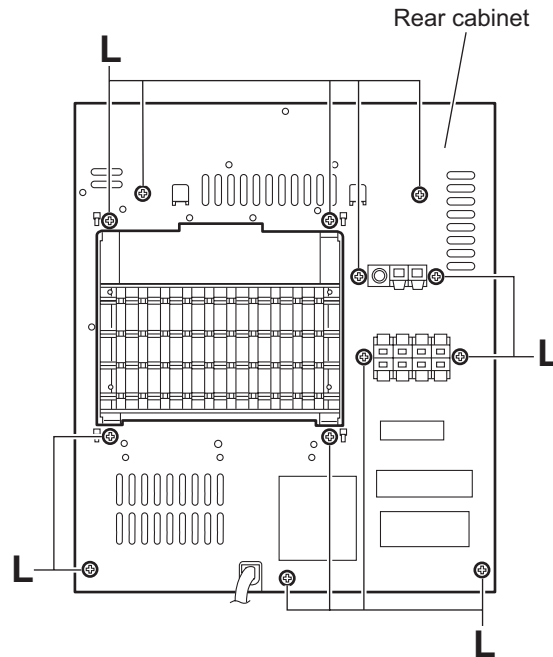


Fig.17

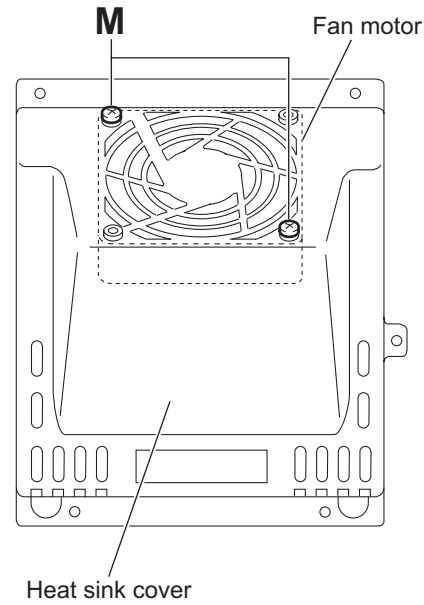


Fig.18

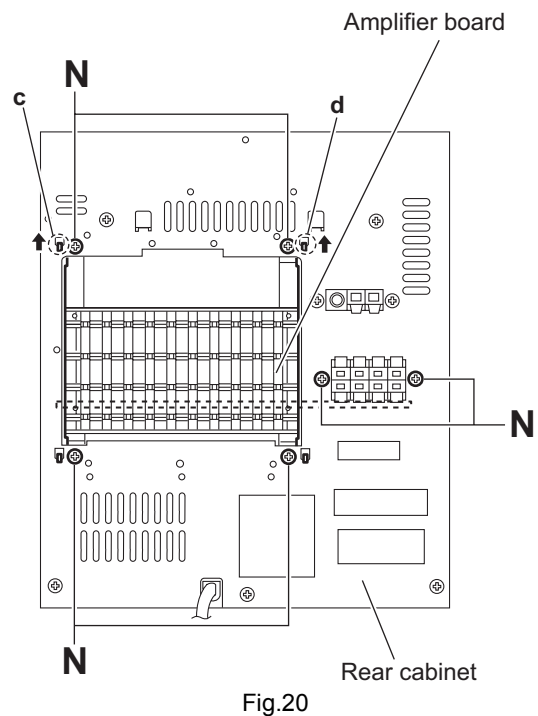
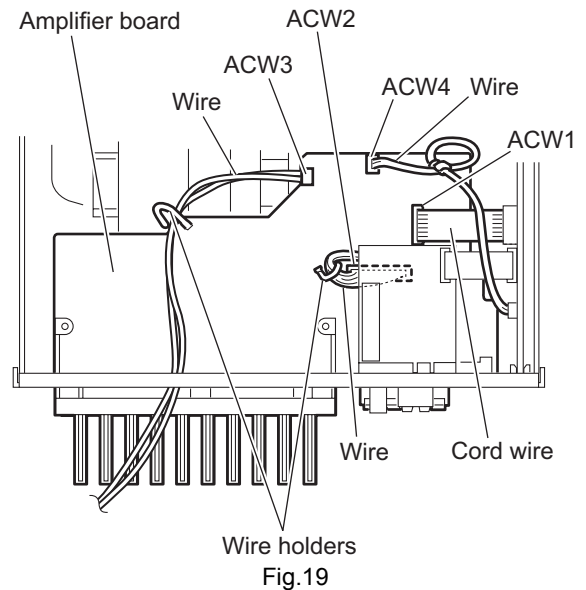
3.1.6 Removing the amplifier board (See Figs.19 and 20)

- Prior to performing the following procedures, remove the top cabinet and CD changer mechanism assembly.
 - (1) From the top side of the main body, disconnect the wires from the connectors ([ACW2](#), [ACW3](#), [ACW4](#)) on the amplifier board. (See Fig.19.)

Reference:

After connecting the wires to the connectors ([ACW2](#), [ACW3](#)), fix the wires with the wire holders as before. (See Fig.19.)

- (2) Disconnect the card wire from the connector [ACW1](#) on the amplifier board. (See Fig.19.)
- (3) From the back side of the main body, remove the six screws **N** attaching the amplifier board. (See Fig.20.)
- (4) Release the claws (**c**, **d**) from the rear cabinet and take out the amplifier board from the inside of the main body. (See Fig.20.)



3.1.7 Removing the heat sink (See Figs.21 to 23)

- Prior to performing the following procedures, remove the top cabinet, CD changer mechanism assembly and amplifier board.
 - (1) From the reverse side of the amplifier board, remove the two screws **P** attaching the heat sink. (See Fig.21.)
 - (2) From the forward side of the amplifier board, remove the four screws **Q** attaching the power amplifier IC on the heat sink. (See Fig.22.)
 - (3) From the bottom side of the heat sink, remove the four screws **R** attaching the brackets on the heat sink. (See Fig.23.)

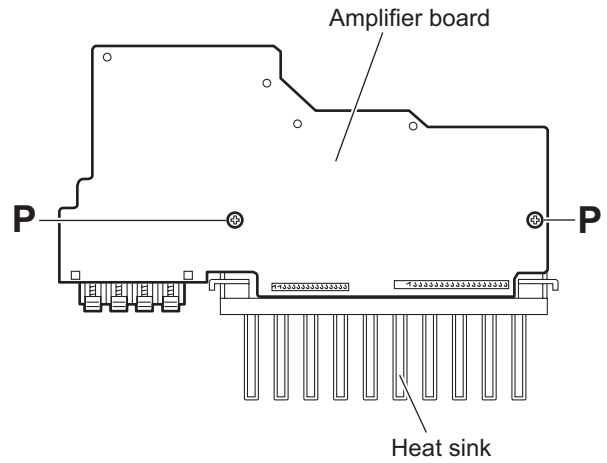


Fig.21

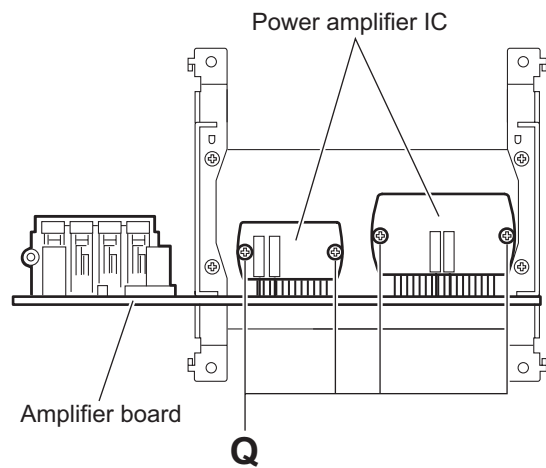


Fig.22

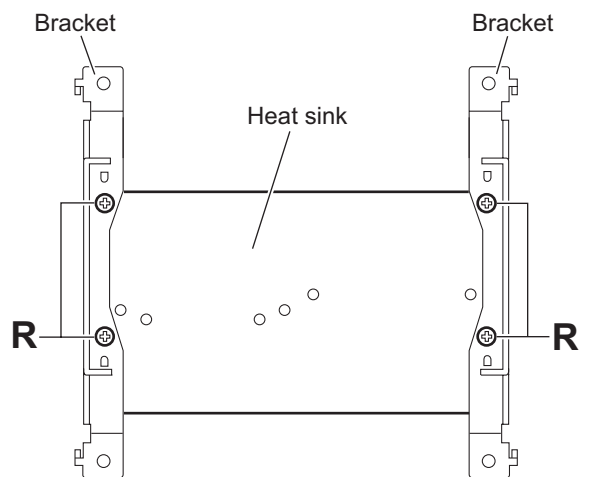


Fig.23

3.1.8 Removing the tuner (See Figs.24 and 25)

- Prior to performing the following procedures, remove the top cabinet.
 - (1) From the back side of the main body, remove the two screws **S** attaching the tuner. (See Fig.24.)
 - (2) From the left side of the main body, take out the tuner.
 - (3) From the forward side of the tuner, disconnect the card wire from the connector **CON01**. (See Fig.25.)

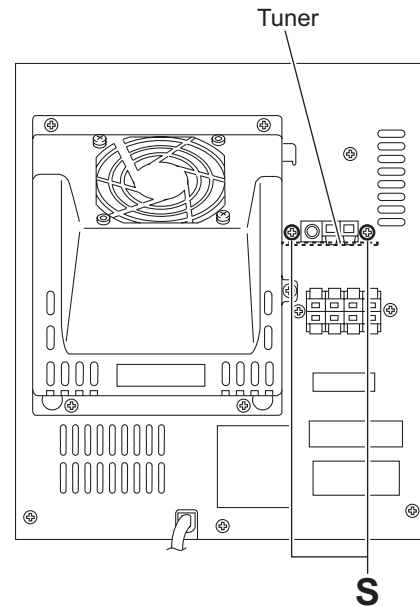
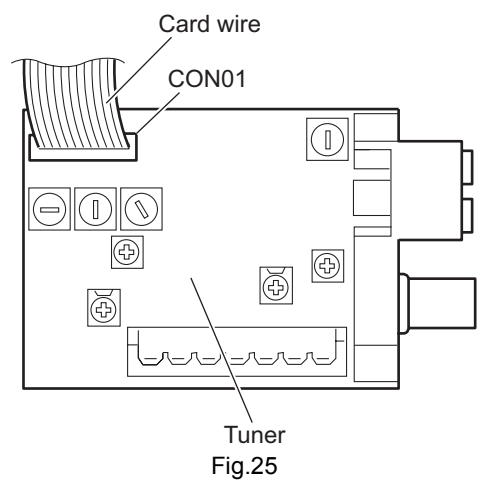


Fig.24



3.1.9 Removing the main board (See Figs.26 to 28)

- Prior to performing the following procedures, remove the top cabinet, CD changer mechanism assembly and amplifier board.

- (1) From the forward side of the main board, disconnect the card wires from the connectors (CW101, CW102). (See Fig.26.)
- (2) Disconnect the wires from the connectors (CW01A, CW108, CW109, CW111, CW112) on the main board. (See Fig.26.)
- (3) Disconnect the wire from the connector PCW1 on the power supply board. (See Fig.26.)
- (4) From the left side of the main body, remove the screw T attaching the main board. (See Fig.27.)
- (5) From the top side of the main body, remove the two screws U attaching the main board. (See Fig.28.)
- (6) Take out the main board from the main body.

Reference:

Insert the main board in the slot e before attaching the main board to the bottom chassis. (See Fig.28.)

3.1.10 Removing the power supply board (See Figs.26 and 28)

- Prior to performing the following procedures, remove the top cabinet, CD changer mechanism assembly and amplifier board.

- (1) From the forward side of the power supply board, disconnect the wire from the connector PCW1. (See Fig.26.)
- (2) Disconnect the power cord from the connector PW101 on the power supply board. (See Fig.28.)
- (3) From the top side of the main body, remove the four screws V attaching the power supply board. (See Fig.28.)
- (4) Take out the power supply board from the main body.

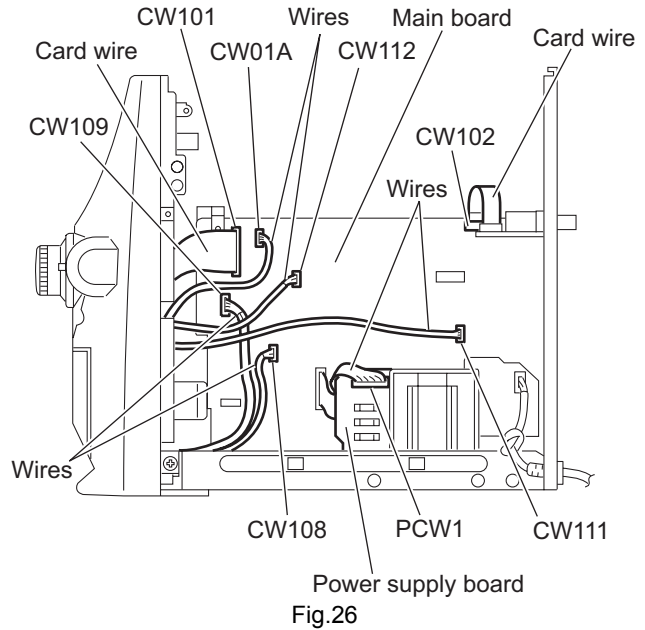
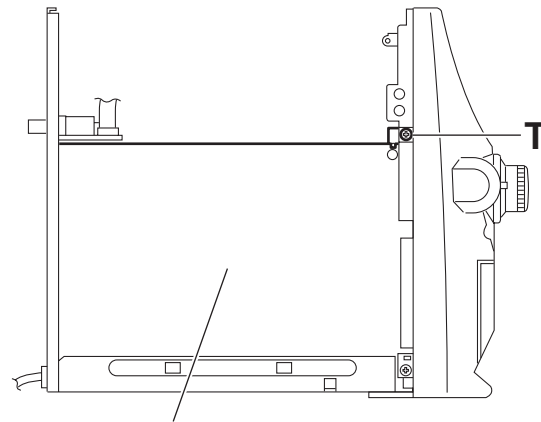


Fig.26



Main board

Fig.27

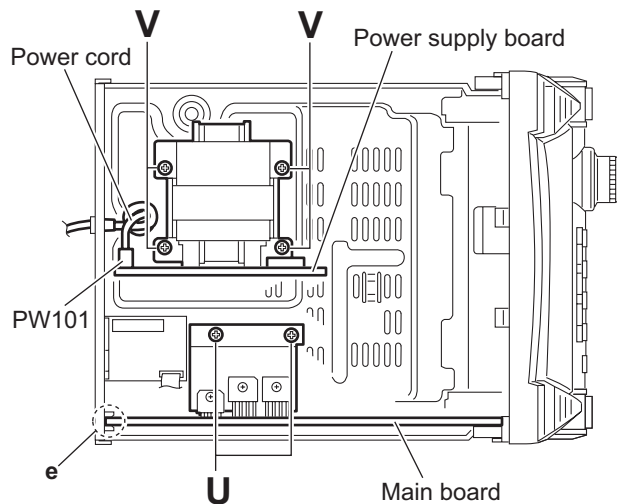


Fig.28

3.1.11 Removing the CD board (See Fig.29)

- Prior to performing the following procedures, remove the top cabinet, CD changer mechanism assembly and front cabinet assembly.
 - (1) From the inside of the front cabinet assembly, disconnect the wire from the connector [UCW05](#) on the VFD board.
 - (2) Remove the four screws **W** attaching the CD board.

Reference:

When attaching the CD board, align the projections (**f**, **g**) of the front cabinet assembly in the holes of the CD board.

3.1.12 Removing the VFD board (See Fig.29)

- Prior to performing the following procedures, remove the top cabinet, CD changer mechanism assembly and front cabinet assembly.
 - (1) From the inside of the front cabinet assembly, disconnect the wire from the connector [UCW05](#) on the VFD board.
 - (2) Remove the three screws **X** attaching the VFD board.
 - (3) Take out the VFD board while releasing the claw **h** in the direction of the arrow.
 - (4) From the forward side of the VFD board, disconnect the card wire from the connector [UCW7](#).

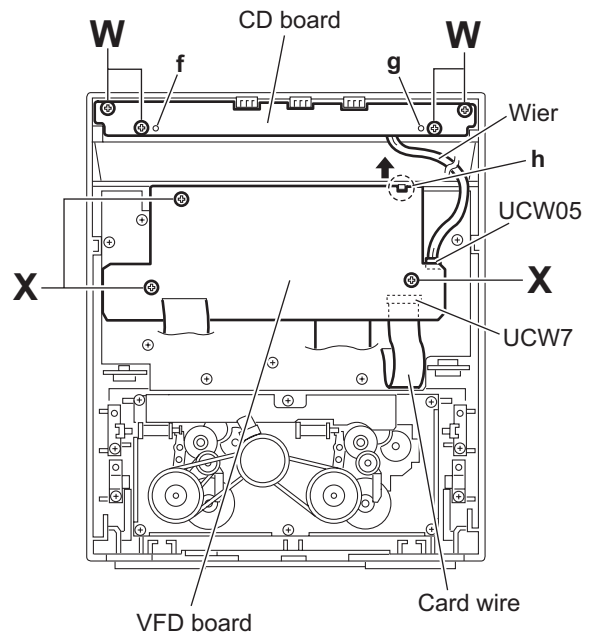


Fig.29

3.1.13 Removing the front board (See Figs.30 and 31)

- Prior to performing the following procedures, remove the top cabinet, CD changer mechanism assembly, front cabinet assembly and VFD board.
 - (1) From the outside of the front cabinet assembly, pull out the volume knob. (See Fig.30.)
 - (2) From the inside of the front cabinet assembly, remove the thirteen screws **Y** attaching the front board. (See Fig.31.)
 - (3) Take out the front board while releasing the claw **i** in the direction of the arrow. (See Fig.31.)
 - (4) From the forward side of the front board, disconnect the card wire from the connector [UCW06](#). (See Fig.31.)

Reference:

When attaching the front board, align the projections (**j**, **k**) of the front cabinet assembly in the holes of the front board.

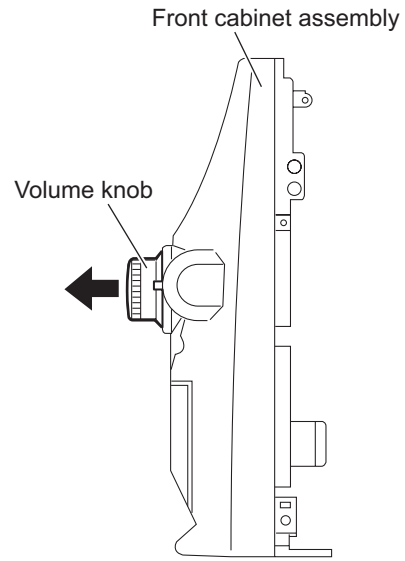


Fig.30

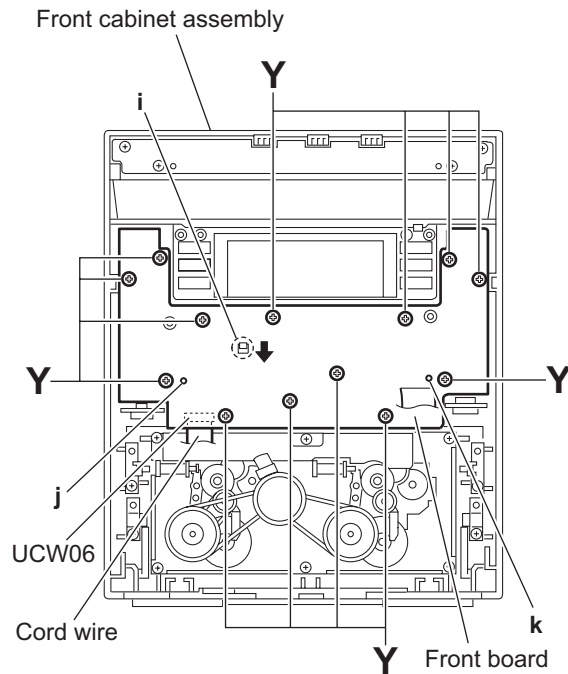


Fig.31

3.1.14 Removing the AUX IN board

(See Fig.32)

- Prior to performing the following procedures, remove the top cabinet, CD changer mechanism assembly, front cabinet assembly, VFD board and front board.

- (1) From the inside of the front cabinet assembly, remove the two screws **Z** attaching the holder.
- (2) Take out the AUX IN board from the front cabinet assembly.

3.1.15 Removing the phone board

(See Fig.32)

- Prior to performing the following procedures, remove the top cabinet, CD changer mechanism assembly, front cabinet assembly, VFD board and front board.

- (1) From the inside of the front cabinet assembly, remove the two screws **AA** attaching the holder.
- (2) Take out the phone board from the front cabinet assembly.

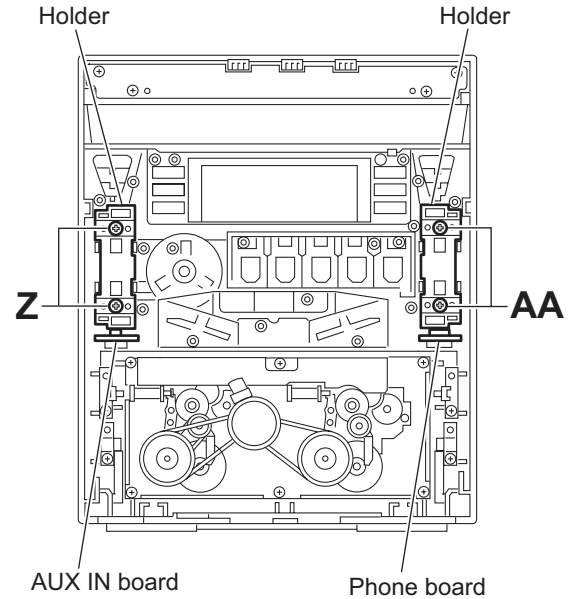


Fig.32

3.1.16 Removing the cassette deck mechanism assembly

(See Fig.33)

- Prior to performing the following procedure, remove the top cabinet, CD changer mechanism assembly and front cabinet assembly.

- (1) From the inside of the front cabinet assembly, disconnect the card wire from the connector on the mechanism board.
- (2) Remove the five screws **AB** and screw **AB'** attaching the cassette deck mechanism assembly.

Reference:

When attaching the screw **AB'**, attach the earth wire with it.

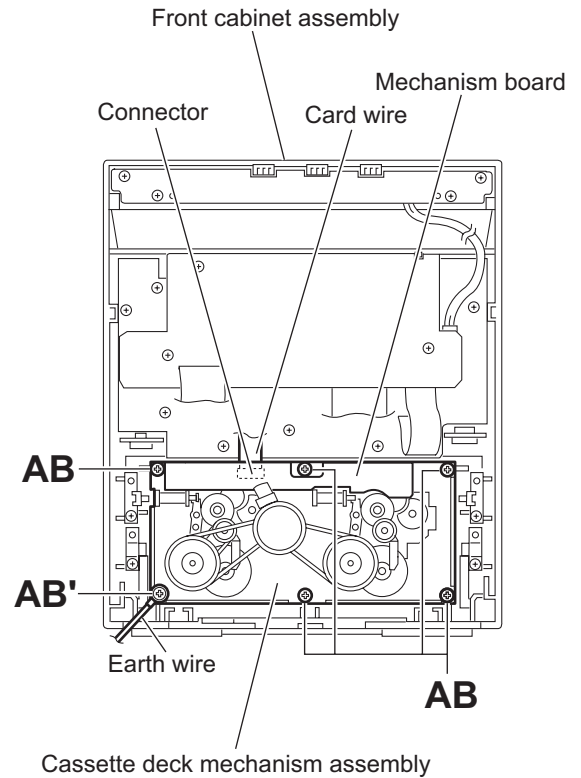


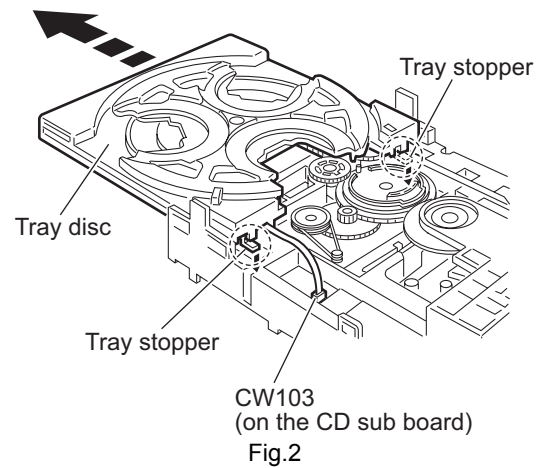
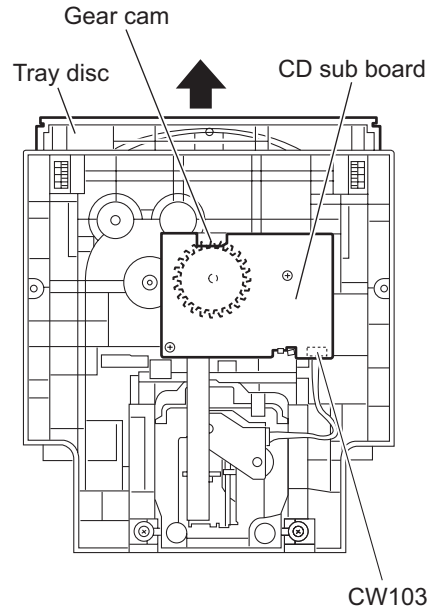
Fig.33

3.2 CD changer mechanism assembly section

- Prior to performing the following procedures, remove the CD changer mechanism assembly. (See "3.1.2 Removing the CD changer mechanism assembly".)

3.2.1 Removing the tray disc (See Figs.1 and 2)

- (1) Turn the gear cam on the bottom side of the CD changer mechanism assembly in the direction of the arrow and draw the tray disc toward the front until it stops. (See Figs.1 and 2.)
- (2) Disconnect the card wire from the connector [CW103](#) on the CD sub board. (See Figs.1 and 2.)
- (3) Push down the two tray stoppers and pull out the tray disc. (See Fig.2.)



3.2.2 Reinstall the tray disc (See Figs.3 and 4)

- (1) Align the gear cam with the gear tray and then mount the tray disc. (See Fig.3.)
- (2) When assembling the tray disc, take extreme care not engage with gear synchro. (See Fig.4.)

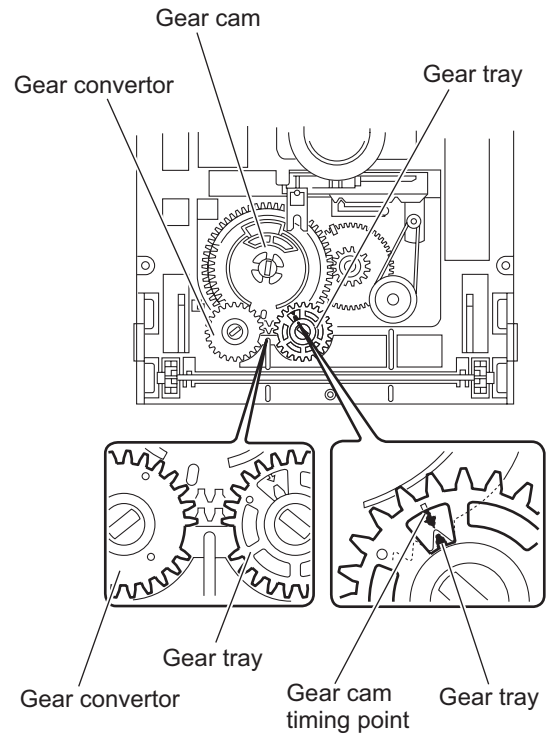


Fig.3

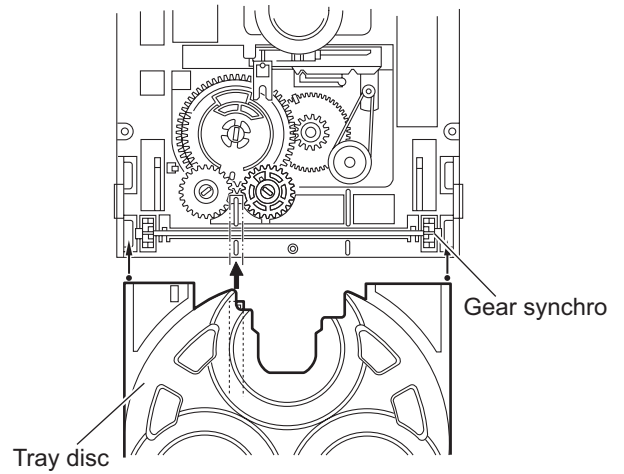


Fig.4

3.2.3 Removing the sensor board (See Fig.5)

- Prior to performing the following procedures, remove the tray disc.
 - (1) Remove the screw **A** attaching the sensor board on the tray disc.
 - (2) Remove the sensor board releasing the two tabs **a**.
 - (3) Disconnect the wire from the connector **CW1** on the sensor board.

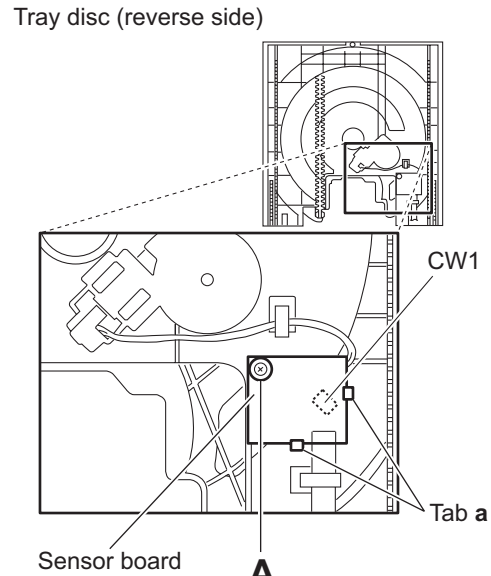


Fig.5

3.2.4 Removing the loading motor (See Figs.6 and 7)

- Prior to performing the following procedures, remove the tray disc and sensor board.
 - (1) Remove the screw **B** attaching the tray roulette and remove the tray roulette from the base tray. (See Fig.6.)
 - (2) Release the tabs **b** attaching the loading motor on the base tray in the direction of the arrow and remove the loading motor. (See Fig.7.)

Reference:

Base tray + Tray roulette = Tray disc

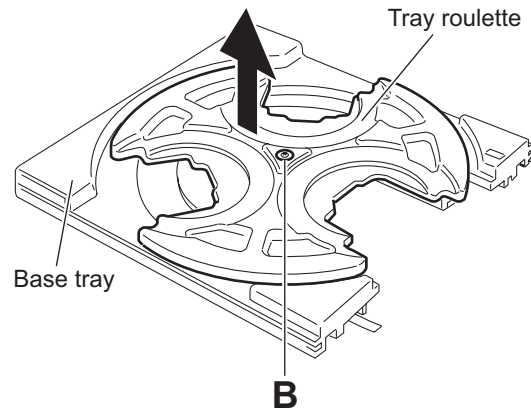


Fig.6

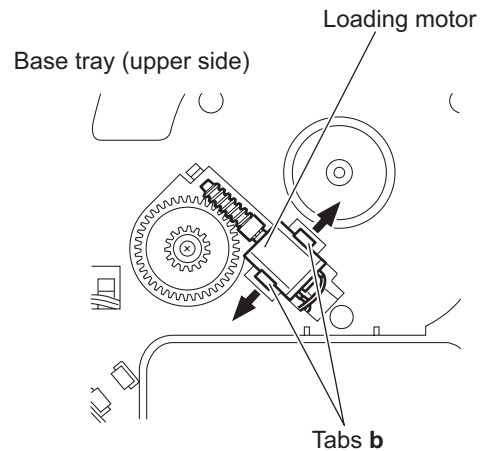


Fig.7

3.2.5 Removing the belt load, CD sub board and switch board (See Figs.8 and 9)

- Prior to performing the following procedures, remove the tray disc.

(1) Remove the belt load from the pulley on the top side of the CD changer mechanism assembly. (See Fig.8.)

Note:

Do not strain the belt load with grease.

(2) Disconnect the card wire from the pickup unit connector on the bottom side of the CD changer mechanism assembly. (See Fig.9.)

Attention:

Solder is put up before the card wire is removed from the pickup unit connector on the CD mechanism assembly. (When the card wire is removed without putting up solder, the pickup unit might destroy.) (See Fig.9.)

(3) Disconnect the wire from the connector on the CD mechanism board. (See Fig.9.)

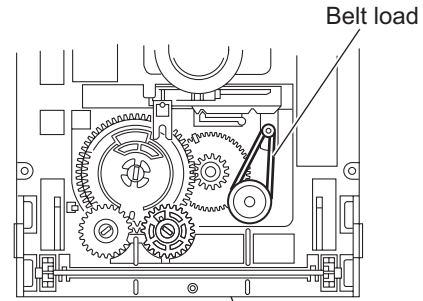
(4) Remove the two screws **C** attaching the CD sub board. (See Fig.9.)

(5) Release the two tabs **c** and two tabs **d** attaching the motor and then remove the CD sub board. (See Fig.9.)

Reference:

If the tabs **c** and **d** are hard to release, it is recommendable to unsolder the two soldered parts on the motor terminal of the CD sub board.

(6) Remove the two screws **D** attaching the switch board and take out the switch board while releasing the two tabs **e** attaching the switch board outward. (See Fig.9.)



CD changer mechanism assembly
Fig.8

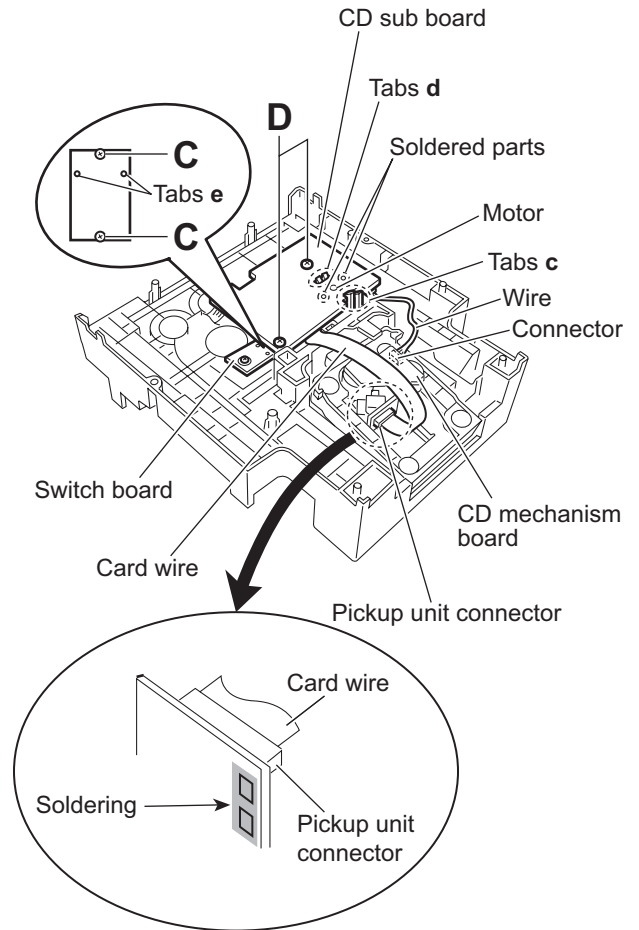


Fig.9

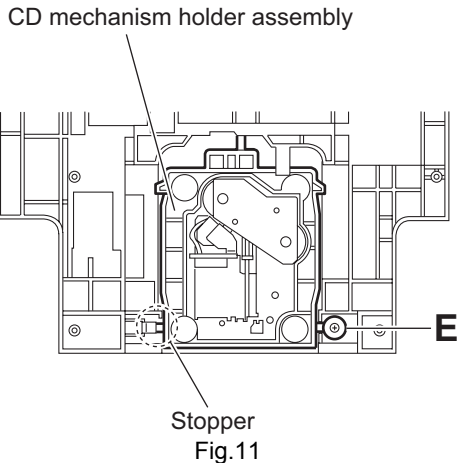
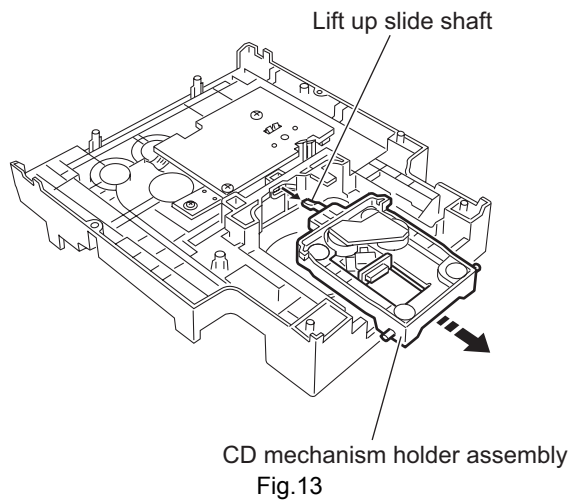
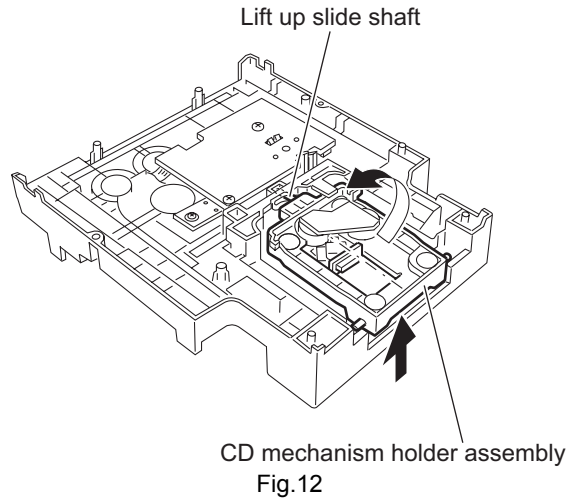
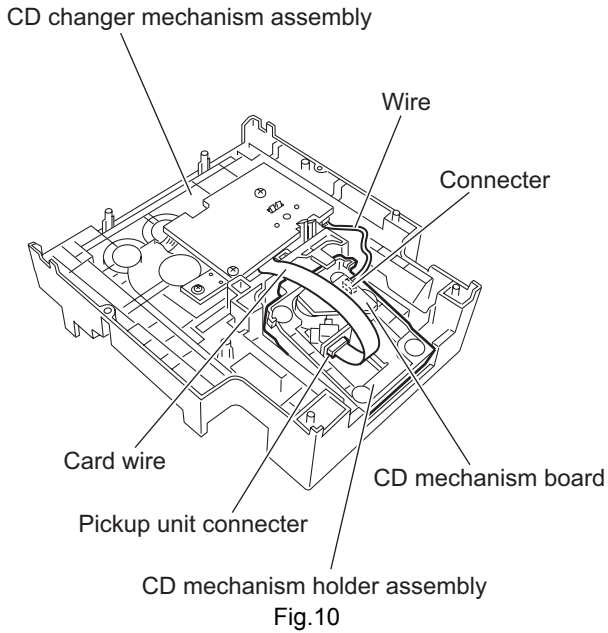
3.2.6 Removing the CD mechanism holder assembly (mechanism included)
(See Figs.9 to 13)

- (1) Disconnect the wire from the connector on the CD mechanism board in the CD mechanism holder assembly on the bottom side of the CD changer mechanism assembly. (See Fig.10.)

Attention:

Solder is put up before the card wire is removed from the pickup unit connector on the CD mechanism assembly. (When the card wire is removed without putting up solder, the pickup unit might destroy.) (See Fig.9.)

- (2) Disconnect the card wire from the pickup unit connector. (See Fig.10.)
- (3) Remove the screw **E** attaching the shaft on the right side of the CD mechanism holder assembly. (See fig.11.)
- (4) Pull outward the stopper fixing the shaft on the left side and remove the CD mechanism holder assembly from behind in the direction of the arrow. (See Figs.11 and 12.)
- (5) Turn the CD mechanism holder assembly half around the lift up slide shaft of the CD mechanism holder assembly until the turntable is reversed, and pull out the CD mechanism holder assembly. (See Figs.12 and 13.)



3.3 CD mechanism section

- Prior to performing the following procedures, remove the CD mechanism holder assembly from the CD changer mechanism assembly. (See "3.2.6 Removing the CD mechanism holder assembly".)

3.3.1 Removing the pickup unit (See Fig.1)

- (1) Remove the cut-washer on the feed gear sleeve and pull out the feed gear.
- (2) Remove the two screws **A** fixing the pickup shaft.
- (3) Remove the pickup unit.

3.3.2 Removing the motor board (See Fig.2.)

- (1) Unsolder the motor terminal on the motor board.
- (2) Remove the motor board.

3.3.3 Removing the feed motor (See Fig.1.)

- Prior to performing the following procedures, remove the CD motor board.
- (1) Remove the two screws **B** and remove the feed motor.
- (2) From the bottom side of the CD mechanism holder assembly, take out the feed motor.

3.3.4 Removing the spindle motor (See Fig.2.)

Reference:

The spindle motor cannot be removed as a single unit.
When removing the spindle motor, change the chassis and turntable together as a unit.

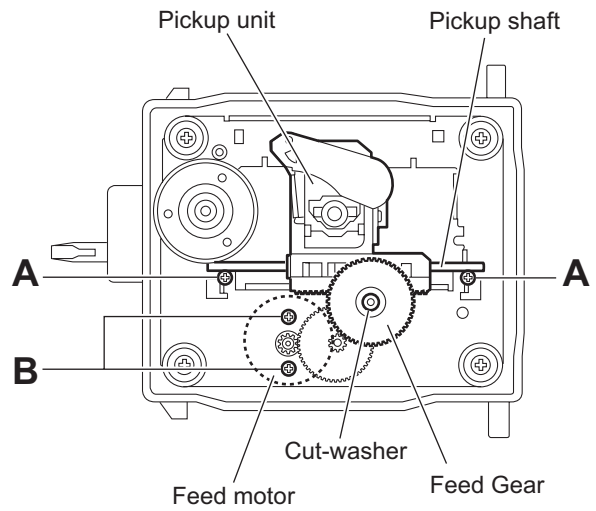


Fig.1

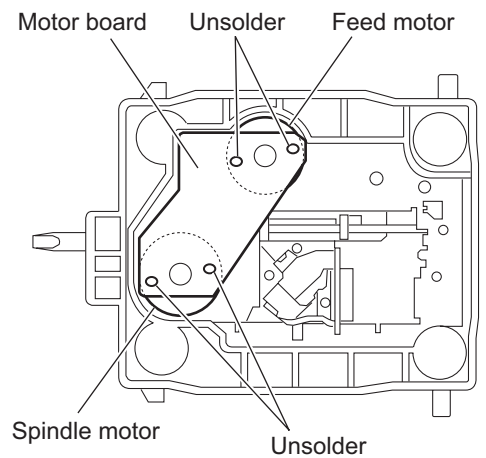


Fig.2

3.4 Cassette mechanism section

- Prior to performing the following procedures, remove the cassette deck mechanism assembly. (See "3.1.16 Removing the cassette deck mechanism assembly".)

3.4.1 Removing the R/P head (See Figs.1 and 2)

- (1) Remove the screw **A** attaching the R/P head.
- (2) Remove the screw **B** attaching the R/P head.

Note:

After attaching the R/P head, perform the electrical adjustment. (See "ADJUSTMENT" section.)

3.4.2 Removing the erase head (See Fig.1)

Remove the screw **C** attaching the erase head.

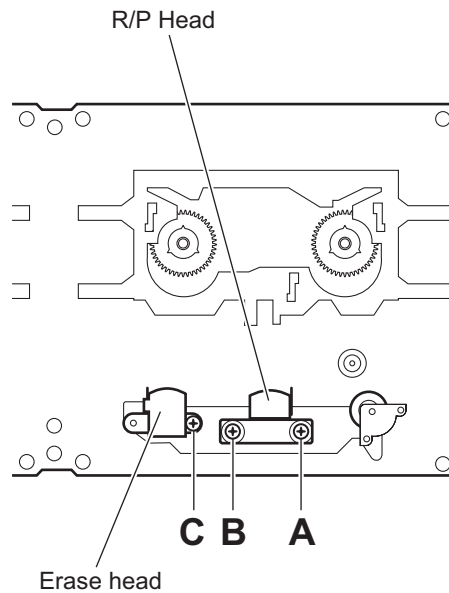


Fig.1

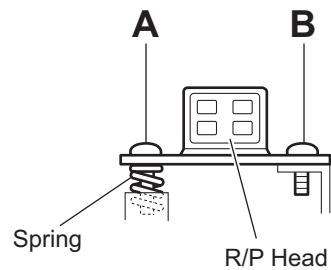


Fig.2

3.4.3 Removing the pinch roller (See Fig.3)

- (1) Pull out the pinch roller stopper.
- (2) Pull out the pinch roller.

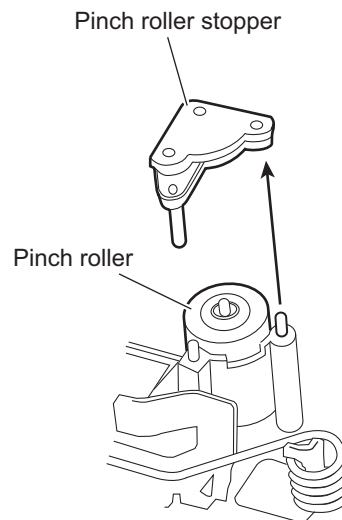


Fig.3

3.4.4 Removing the motor
(See Figs.4 to 6)

- (1) Slide the plastic cover in the direction of the arrow and remove the three claws **a** to remove the plastic cover.
- (2) Remove the two screws **D** fixing the motor.

Note:

Be careful to grease's splash when the drive belt comes off.

- (3) Unsolder the motor terminal.

3.4.5 Removing the mechanism board
(See Fig.5)

- (1) Unsolder the four solder parts **b** and four solder parts **c**.
- (2) Remove the two screws **E** attaching the mechanism board.

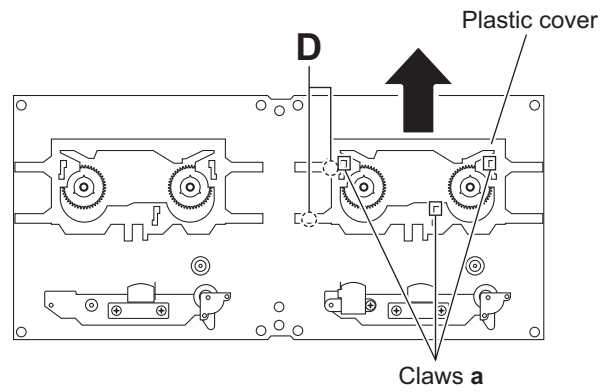


Fig.4

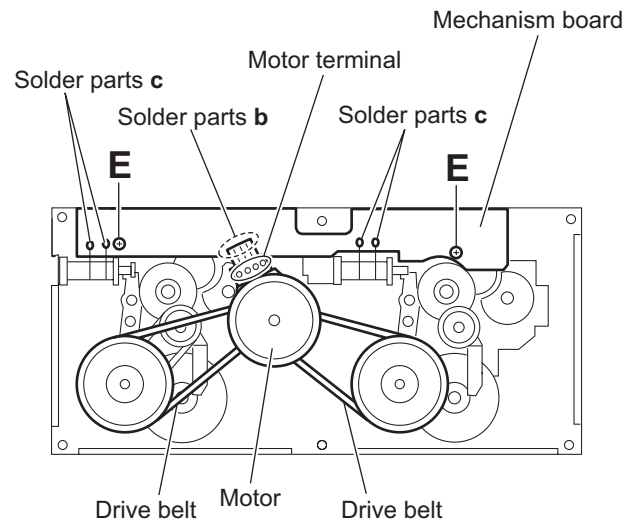


Fig.5

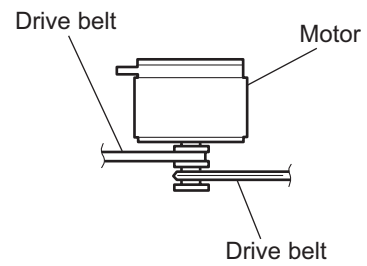


Fig.6

3.4.6 Removing the flywheel (See Figs.7 to 9)

- (1) Remove the cut-washer from the capstan shaft.
- (2) Remove the flywheel from the back side of the cassette deck mechanism assembly.

Reference:

When reassembling the flywheel, be sure to use the new washers as they cannot be reused.

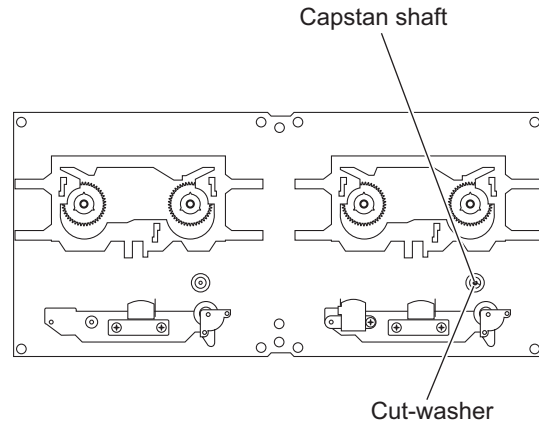


Fig.7

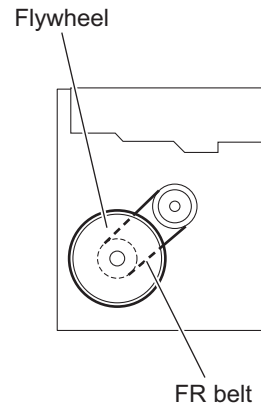


Fig.8

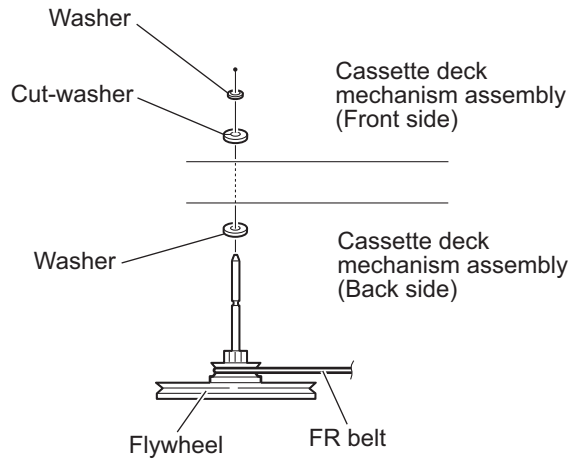


Fig.9

3.5 Speaker section [MX-GB5]

3.5.1 Removing the side panel (See Fig.1)

Remove the five screws **A** attaching the side panel and remove the side panel.

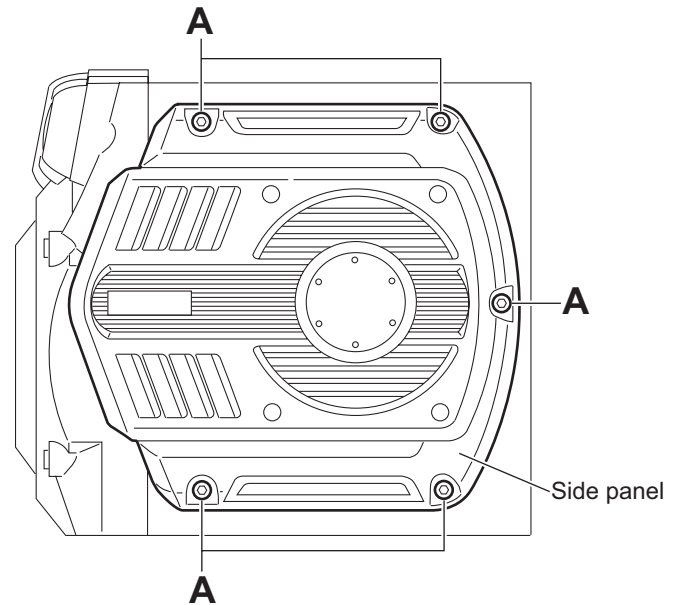


Fig.1

3.5.2 Removing the sub woofer (See Figs.2 and 3)

- Prior to performing the following procedures, remove the side panel.
 - (1) Remove the four screws **B** attaching the sub woofer. (See Fig.2.)
 - (2) Take out the sub woofer from the speaker main body and disconnect the wires (red and red/black) from the speaker terminal. (See Fig.3.)

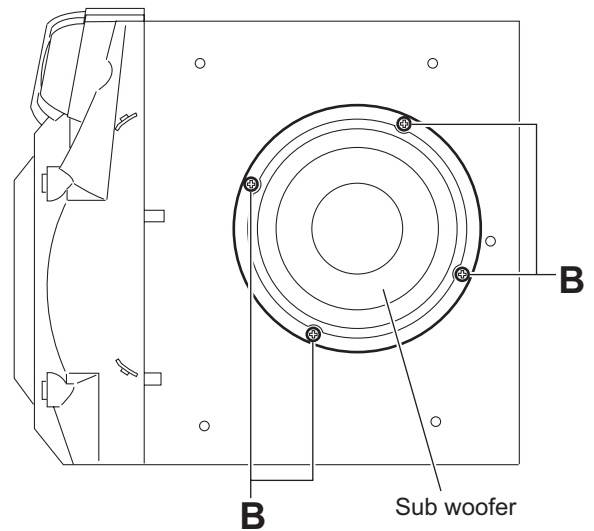


Fig.2

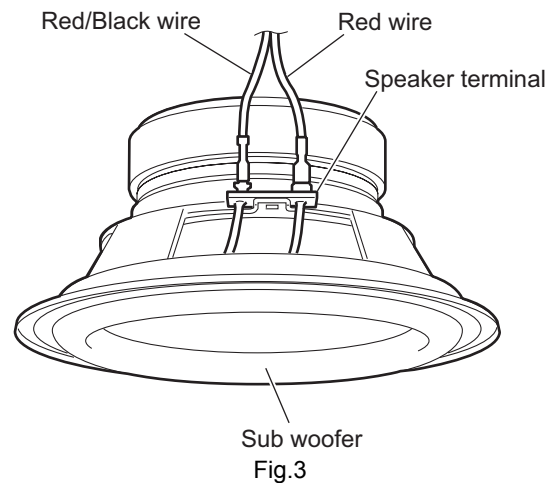


Fig.3

3.6 Speaker section [MX-GB6]

3.6.1 Removing the duct

(See Fig.1)

- (1) From the top side of the speaker main body, remove the four screws **A** attaching the duct.
- (2) Remove the duct from the speaker main body in the direction of the arrow.
- (3) From the back side of the speaker main body, remove the two screws **B** attaching the duct deco.
- (4) Remove the duct deco from the speaker main body.

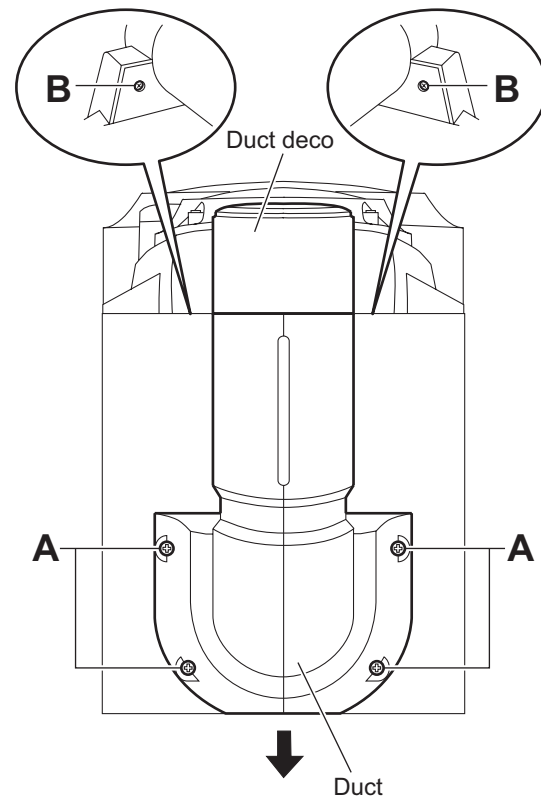
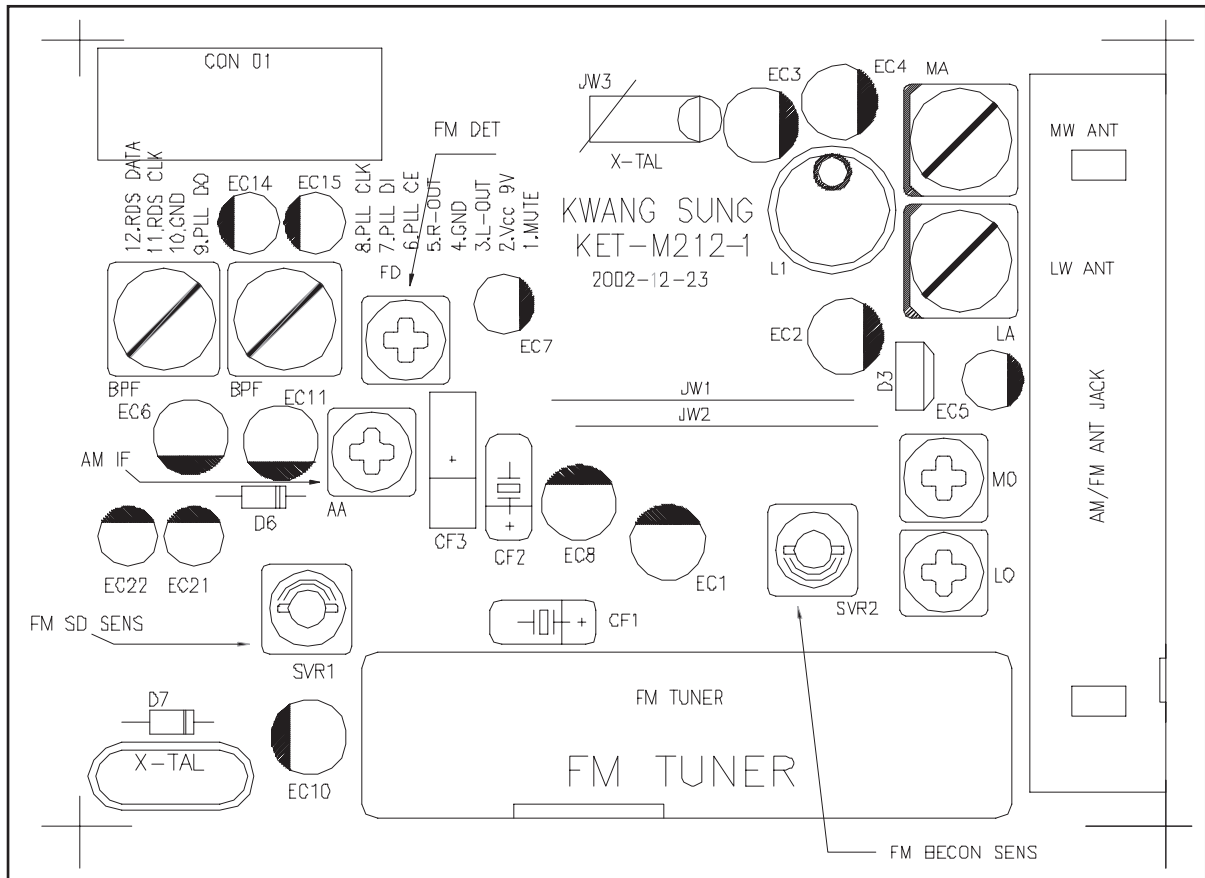


Fig.1

SECTION 4 ADJUSTMENT

4.1 Alignment and adjustment

4.1.1 Tuner



* Adjustment Location of Tuner board

ITEM	AM(MW) OSC Adjustment	AM(MW) RF Adjustment	LW OSC Adjustment	LW RF Adjustment
Received FREQ.	522~1611 kHz	594 kHz	146~290 kHz	150 kHz
Adjustment point	MO	MA	LO	LA
Output	1~7.0±0.5V	Maximum Output (Fig.1)	2~7.0±0.5V	Maximum Output (Fig.1)

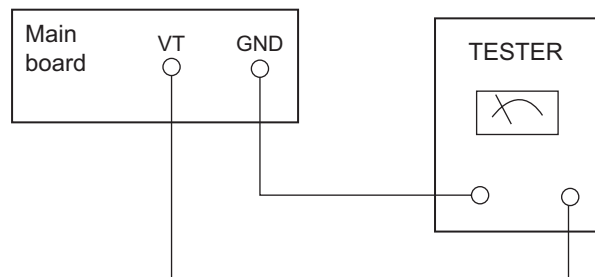


Fig.1 OSC Voltage

FM THD Adjustment	
SSG FREQ.	98 MHz
Adjustment point (FM DET)	FM DETECTOR COIL
Output	60 dB
Minimum Distortion (0.4% below) (Fig.2)	

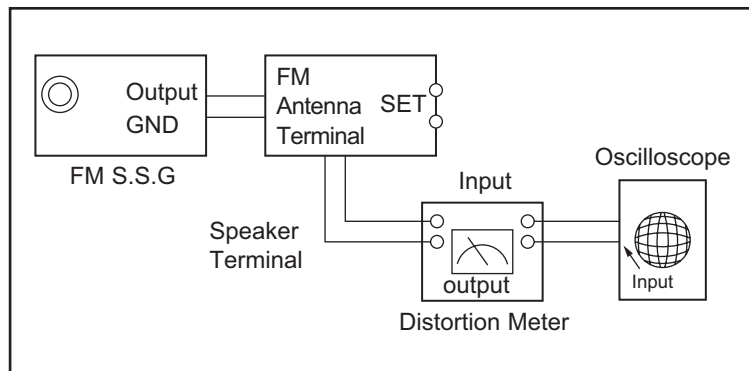


Fig.2 IF CENTER and THD Adjustment

FM Search Level Adjustment	
SSG FREQ.	98 MHz
Adjustment point (SVR1)	BEACON SENSITIVITY SEMI-VR(10KΩ)
Output	28 dB(±2dB)
Adjust SVR1 (Fig.3)	

*Adjust FM S.S.G level to 28dB

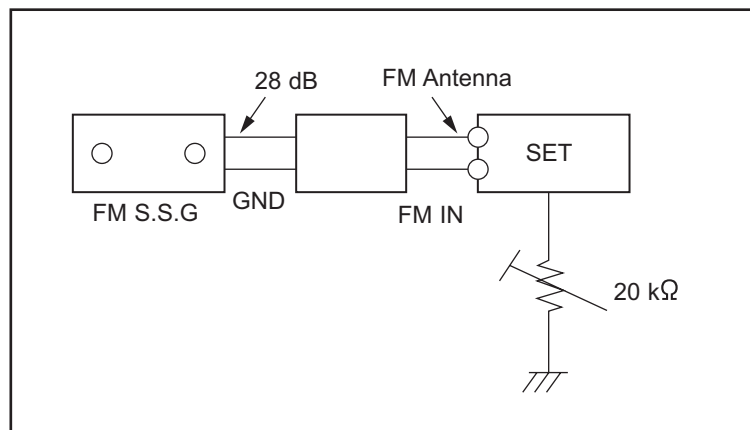


Fig.3 FM Auto Search Level Adjustment

AM(MW) I.F Adjustment	
SSG FREQ.	450 kHz
Frequency	522 kHz
Adjustment point	AM IF
Maximum output (Fig.4)	

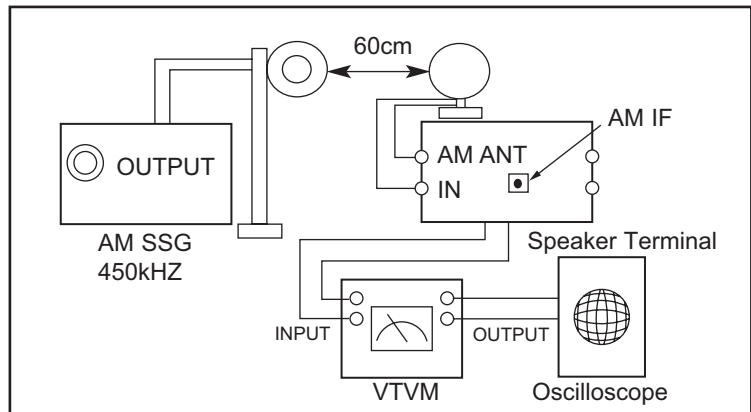


Fig.4 AM I.F Adjustment

4.1.2 AM (MW), LW, SW1, SW2 adjustment

	Circuit to be Adjusted	Measuring Instrument & Arrangement	Step	S.S.G Frequency	Radio dial Setting	Adjusting Point	Adjust for
AM (MW)	OSC	Connect AM signal generator to loop antenna, VTVM AND oscilloscope (Fig.4)	1	522kHz	522kHz	MW OSC	Adjust for 1.0V±0.1V at the low. (IR117)
			2	1611kHz	1611kHz	MW OSC	Check for 7.0V±1.0V at the high. (IR117)
	RF	↑	1	594kHz	594kHz	MW ANT	Maximum out
	INTER FREQ	↑	1	455kHz	522kHz	TL2	Maximum out
LW	OSC	Fig.4	1		146kHz	LW OSC	Adjust for 2.0V±0.1V at the low.
			2		290kHz	LW OSC	Check for 7.0V±1.0V at the high.
	RF		1	150kHz	150kHz	LW ANT	Maximum out
SW1	OSC	Fig.4	1		2.3MHz	SW1 OSC	Adjust for 1.0V±0.1V at the low.
			2		7.3MHz	-	Check for 8.5V±1.0V at the high.
	RF		1	3.5MHz	3.5MHz	SW1 ANT	Maximum out
SW2	OSC	Fig.4	1		9.5MHz	SW2 OSC	Adjust for 1.5V±0.1V at the low.
			2		26.1MHz	-	Check for 8.0V±1.0V at the high.
	RF		1	10MHz	10MHz	SW2 ANT	Maximum out

4.2 Cassette Deck

4.2.1 To adjust tape speed

Notes

- 1) Measuring tape: i) MTT-111 (or equivalent)
(Tapes recorded with 3kHz)
ii) MTT-5512 (or equivalent)
- 2) Connect the SPK OUT of the main board to the frequency counter as in Fig.5.

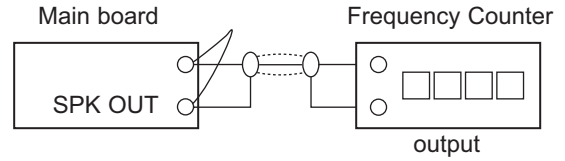


Fig.5

Step	Item	Pre-Setup Condition	Pre-Setup	To Adjust	Standard	Remark
1	NOR SPEED Control	SPK OUT (connected to the frequency counter)	1) Deck 1:MTT-111 2) Press PLAY SW button 3) Deck 2:Same as above	Turn FSR01 to left and right (Front board)	3kHz	±1% range

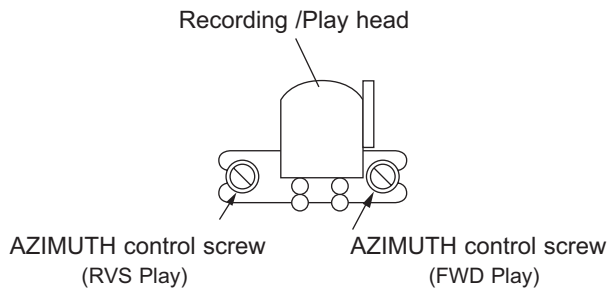


Fig.6

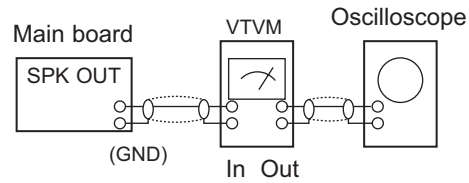


Fig.7

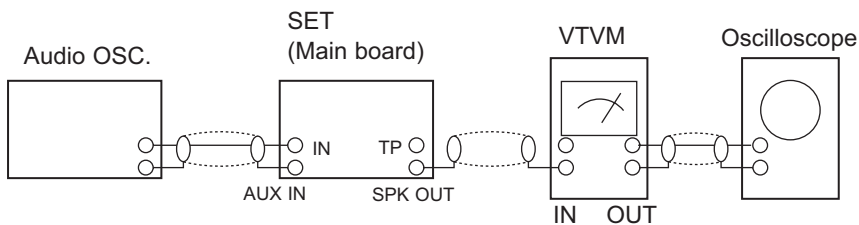


Fig.8

4.2.2 To adjust playback level/REC

- Notes
- 1) Before the actual adjustment, clean the play/recording head.
 - 2) Measuring tape :
 - i) MTT-114N (or equivalent 10kHz AZIMUTH control)
 - ii) MTT-5512
 - 3) The cassette deck is connections as shown in figure 7.

1. Adjust Deck 1 Play Level

Step	Item	Pre-Setup Condition	Pre-Setup	To Adjust	Standard	Remark
1	AZIMUTH	SPK OUT (VTVM is connected to the scope)	After putting MTT-114N into Deck 1 -Press FWD PLAY button	-Turn the control screw to as shown in Fig.6.	Max output and same phase (both channels)	After adjustment secure it with REGION LOCK.

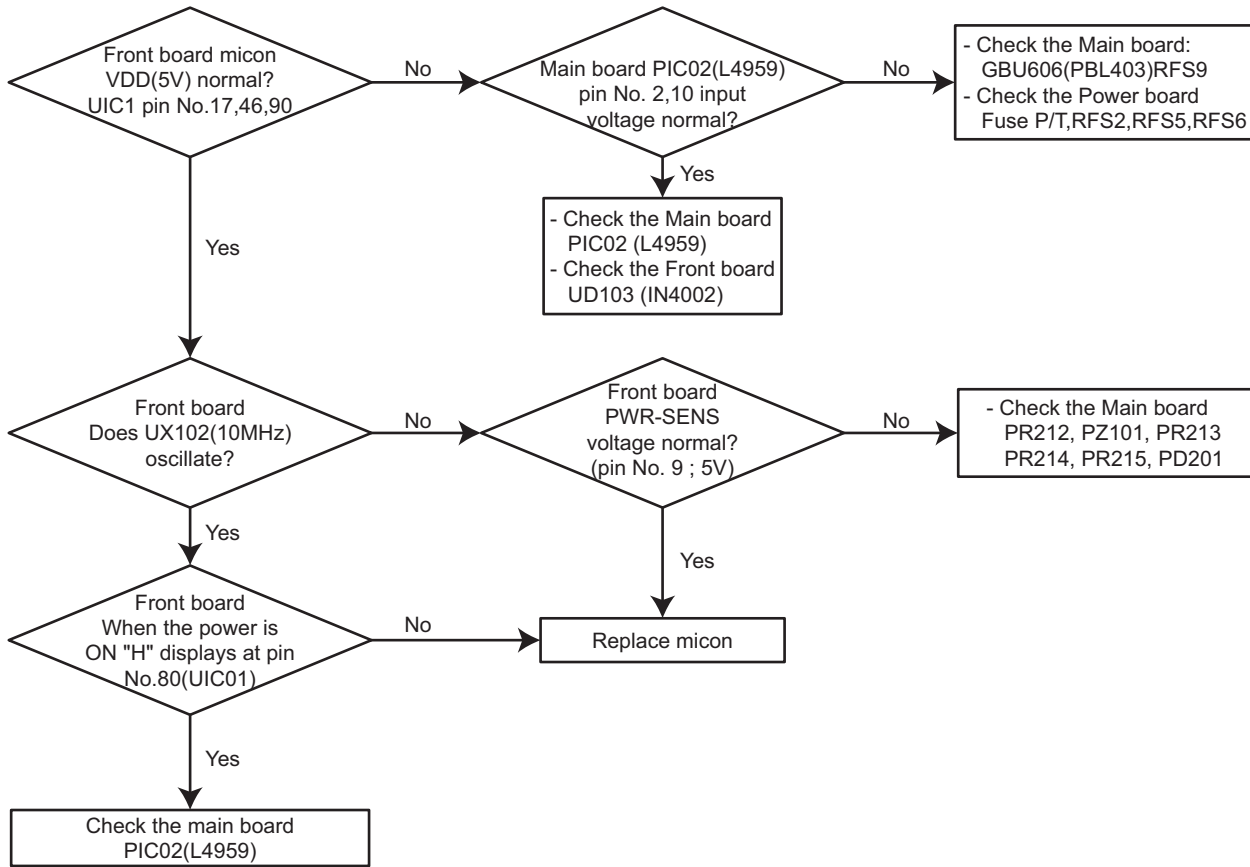
2. Adjust Deck 2 Play Level/ REC BIAS

Step	Item	Pre-Setup Condition	Pre-Setup	To Adjust	Standard	Remark
1	AZIMUTH	SPK OUT (VTVM is connected to the scope)	After putting MTT-114N into Deck 2 -Press FWD PLAY button	-Turn the control screw to as shown in Fig.6.	Max output and same phase (both channels)	After adjustment secure it with REGION LOCK.
2	Recording Bias Voltage	Fig.8	After putting MTT-5512 into Deck 2 1) Press REC PLAY button. 2) Tape board CW110, connected to VTVM.	-Turn JVR01, JVR02 to the right and left.	Check to 7mV(±0.5mV)	

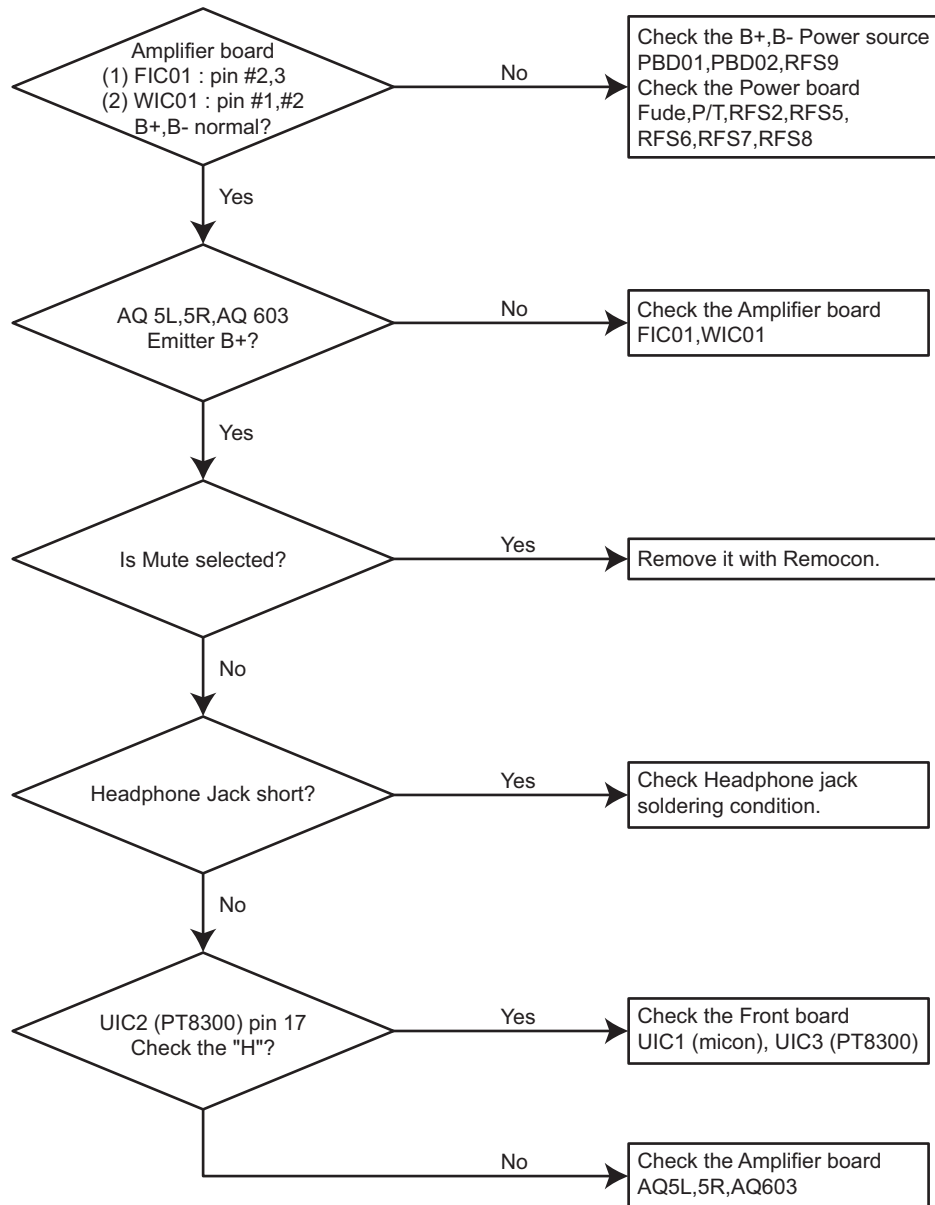
SECTION 5 TROUBLESHOOTING

5.1 Amplifier

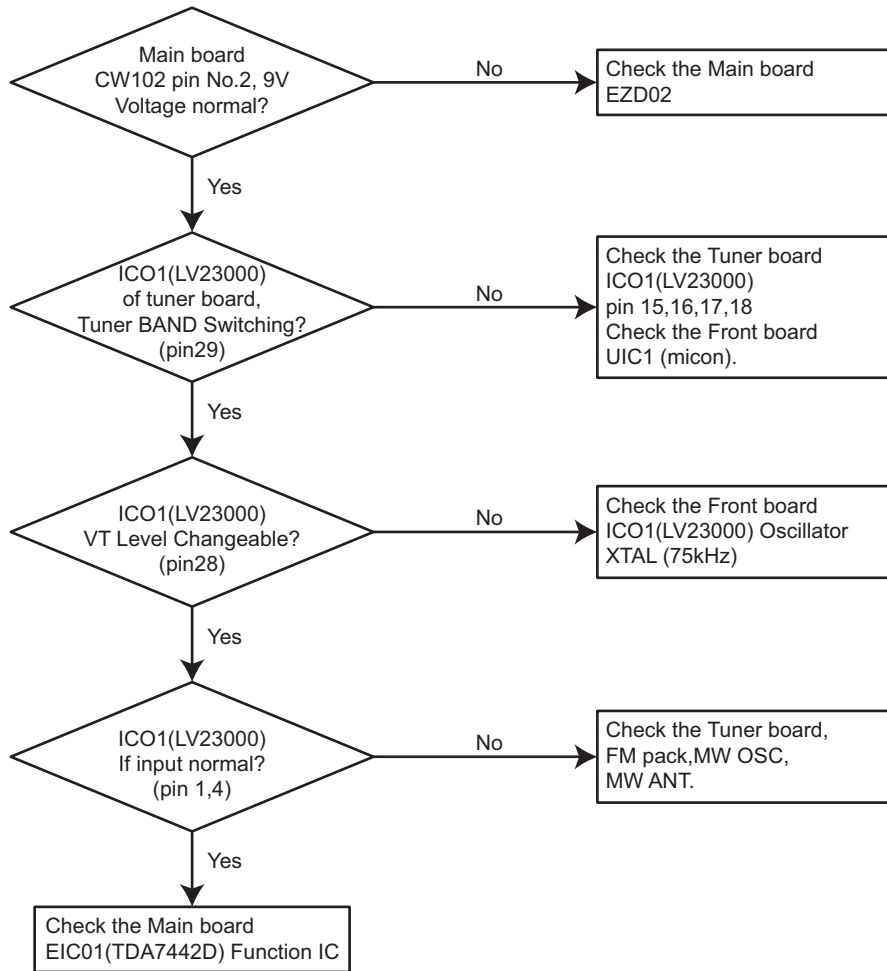
(1) Power Malfunction



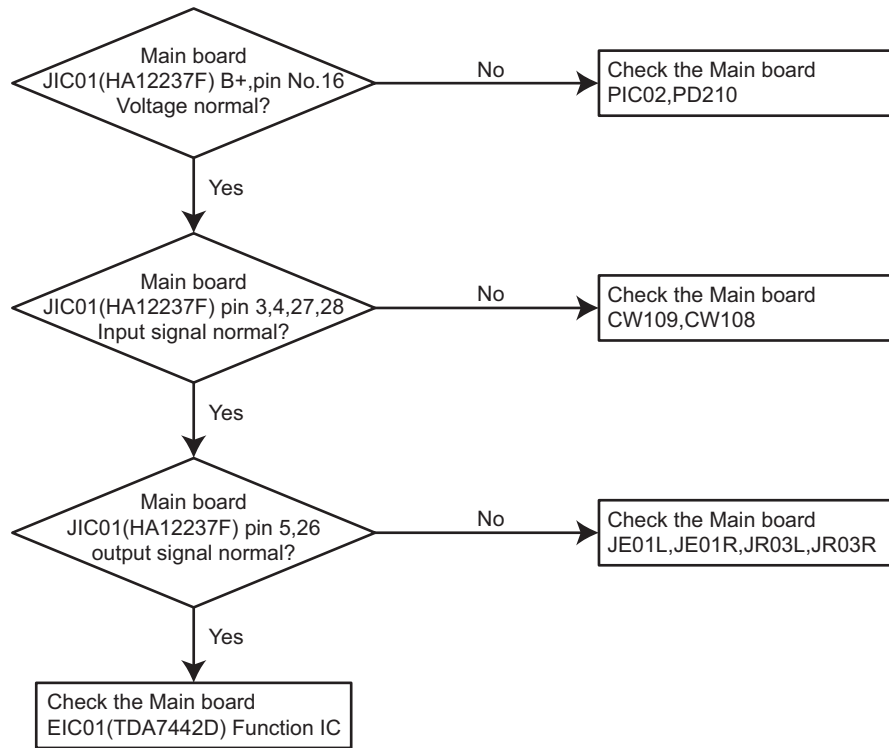
(2) No output (U/E version)



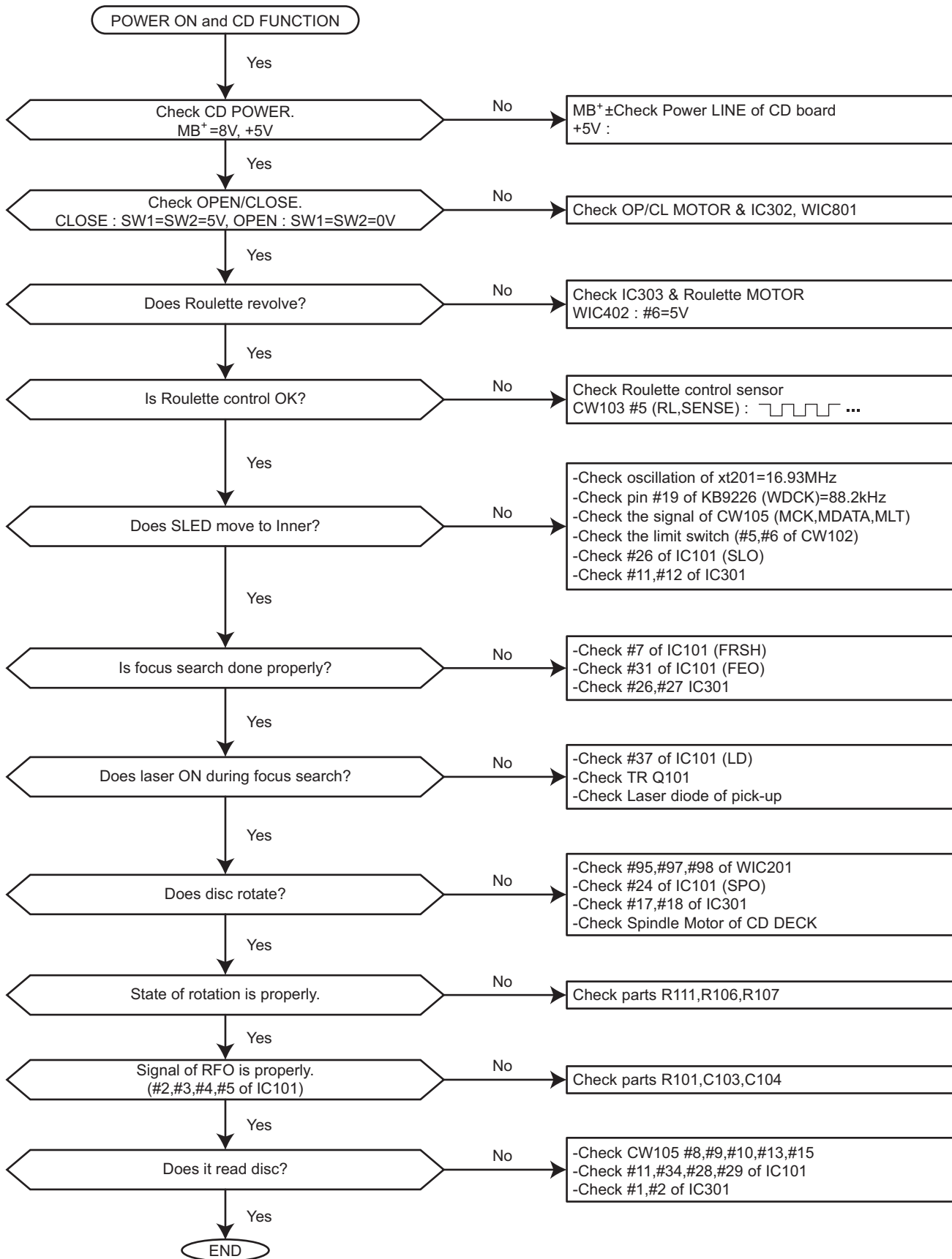
5.2 Tuner malfunction (FM/AM) : COMMON



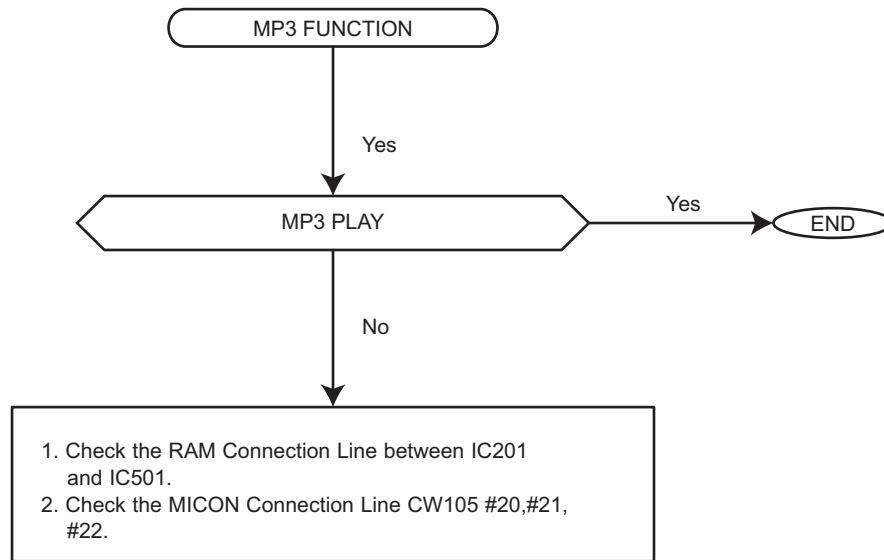
5.3 Tape : COMMON



5.4 CD : COMMON



5.5 CD : MP3 Parts





JVC

VICTOR COMPANY OF JAPAN, LIMITED
AV & MULTIMEDIA COMPANY AUDIO/VIDEO SYSTEMS CATEGORY 10-1,1chome,Ohwatari-machi,Maebashi-city,371-8543,Japan

(No.MB160)

JVC

SCHEMATIC DIAGRAMS

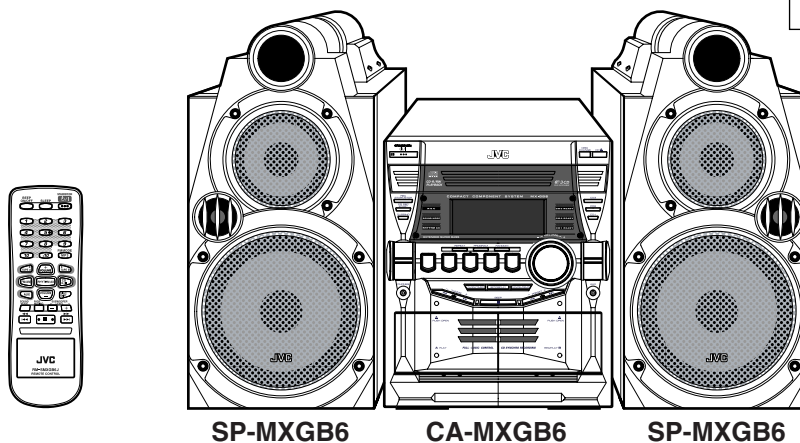
COMPACT COMPONENT SYSTEM

MX-GB6, MX-GB5

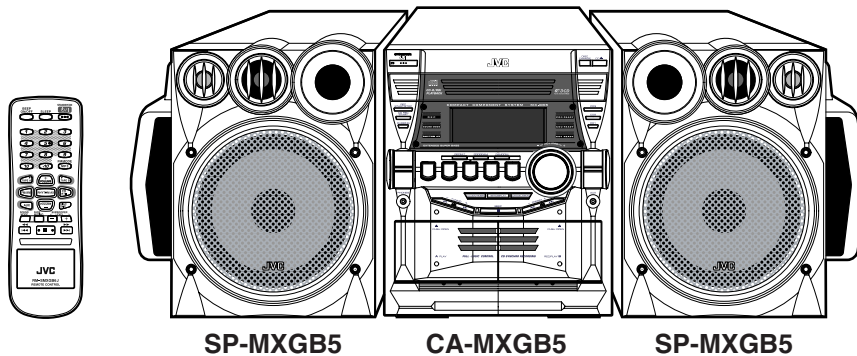
CD-ROM No.SML200405

Area suffix

J ----- U.S.A.
C ----- Canada



COMPACT
disc
DIGITAL AUDIO



COMPACT
disc
DIGITAL AUDIO

Contents

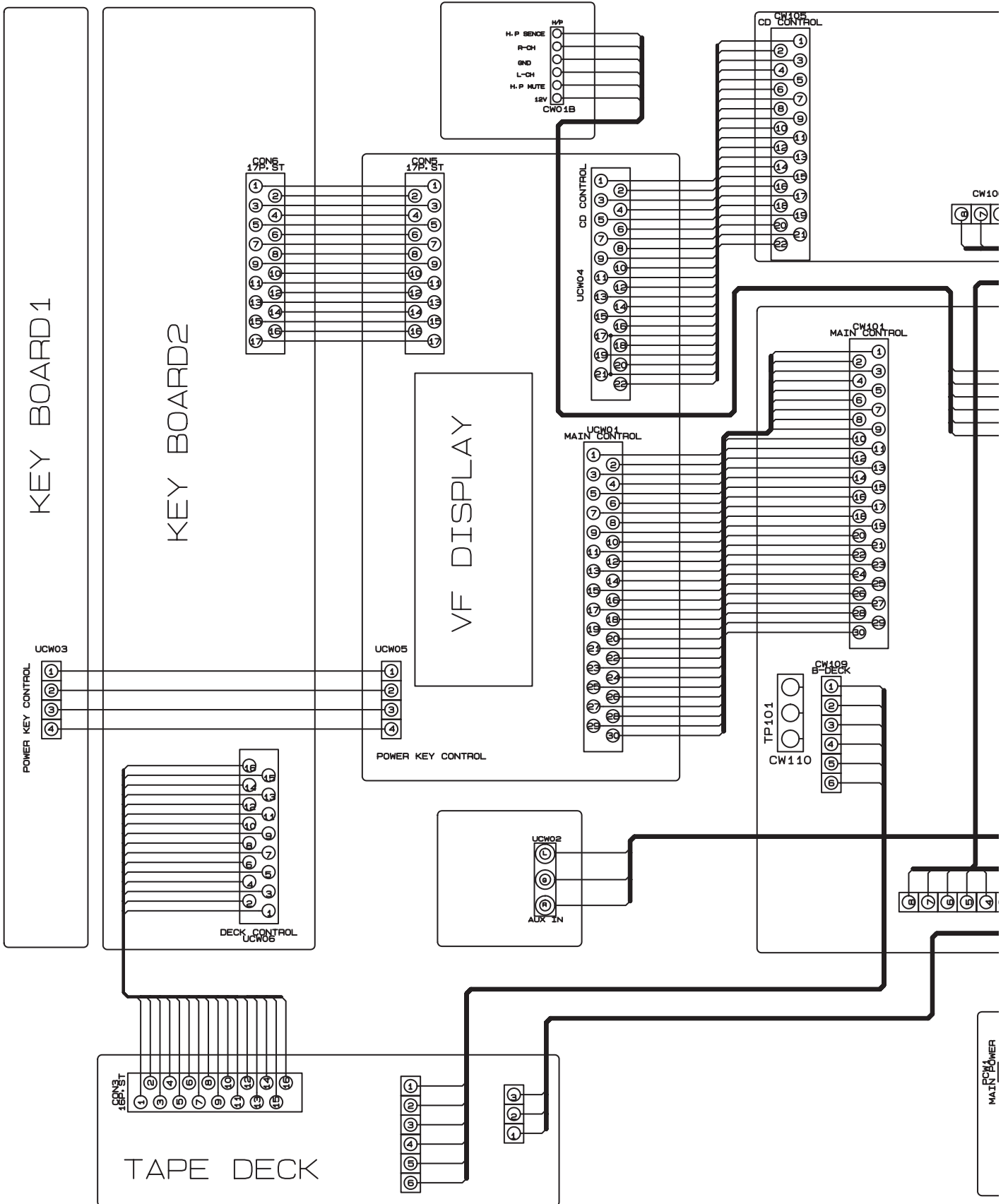
Wiring diagram -----	2-1
Block diagram -----	2-3
Standard schematic diagrams -----	2-5
Printed circuit boards -----	2-17 to 20

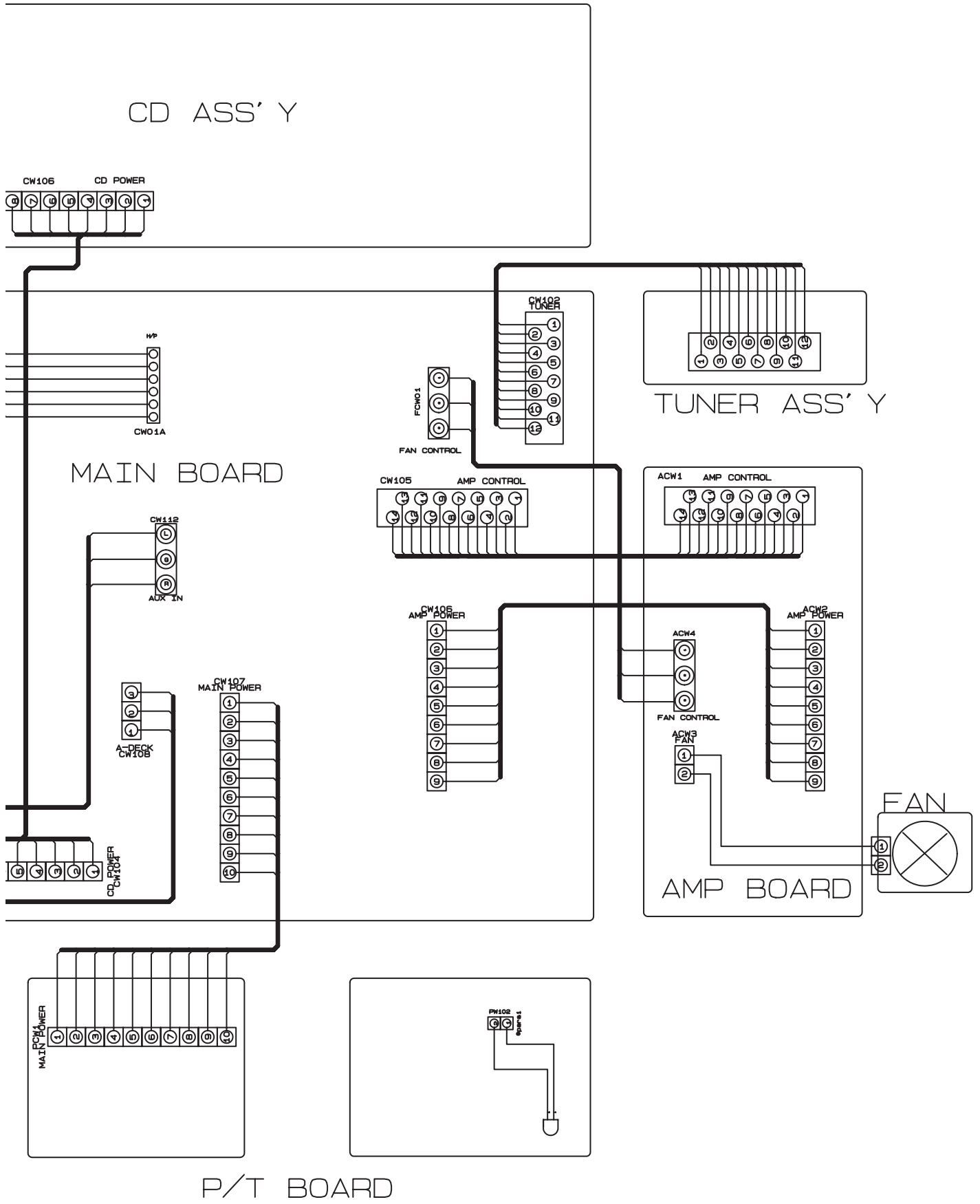
In regard with component parts appearing on the silk-screen printed side (parts side) of the PWB diagrams, the parts that are printed over with black such as the resistor (■), diode (▣) and ICP (●) or identified by the "△" mark nearby are critical for safety.

(This regulation does not correspond to J and C version.)

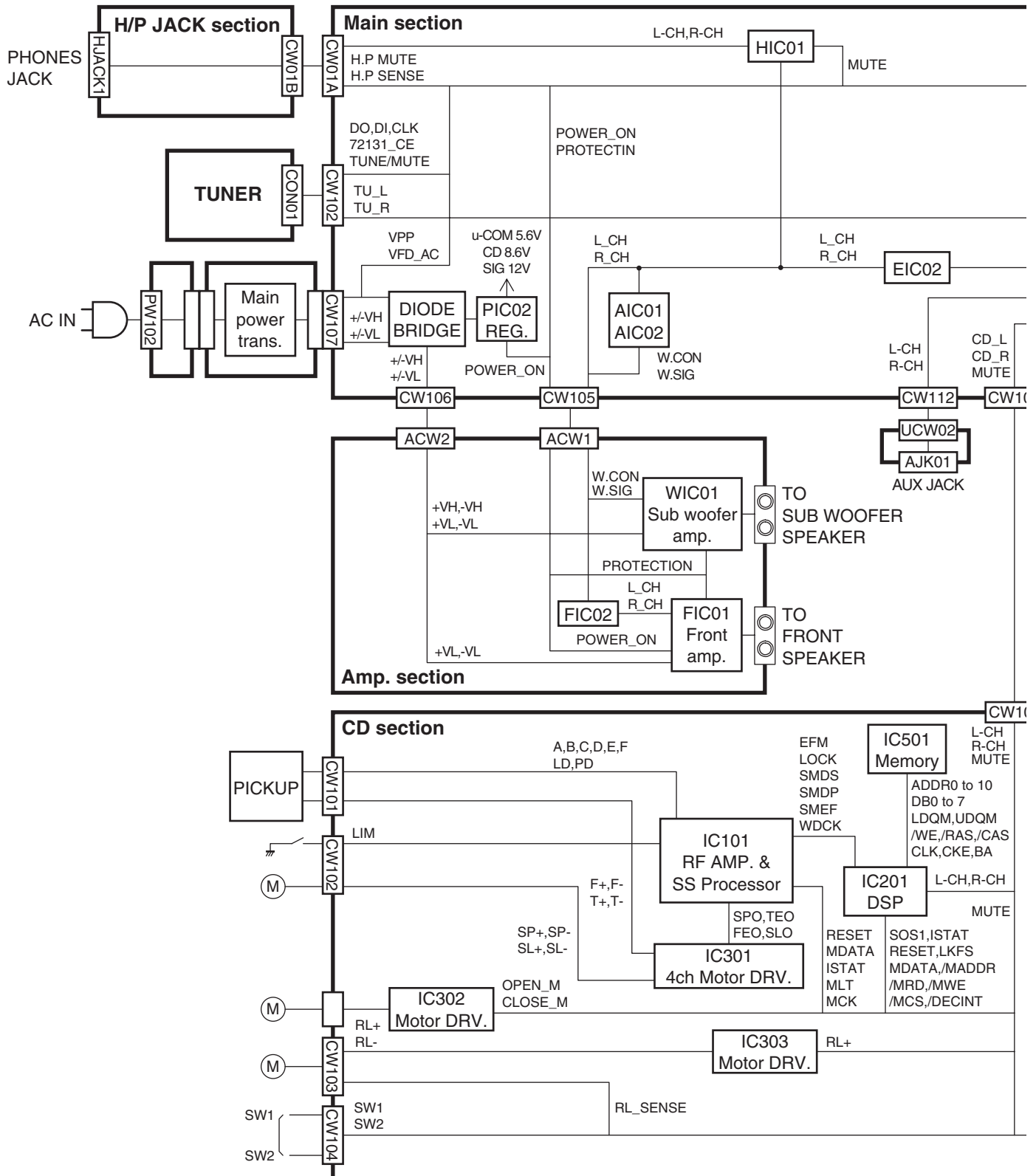
< MEMO >

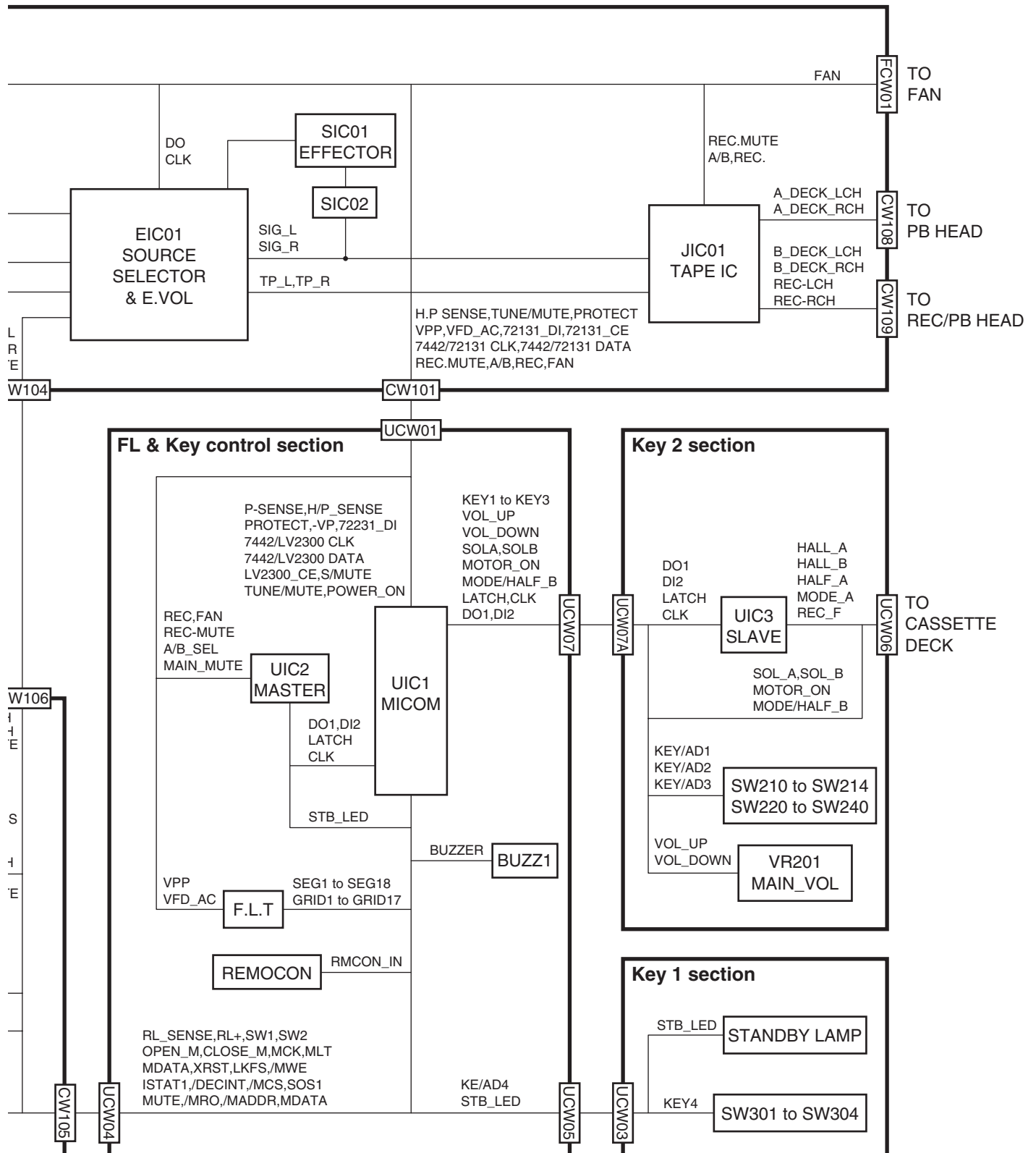
Wiring diagram





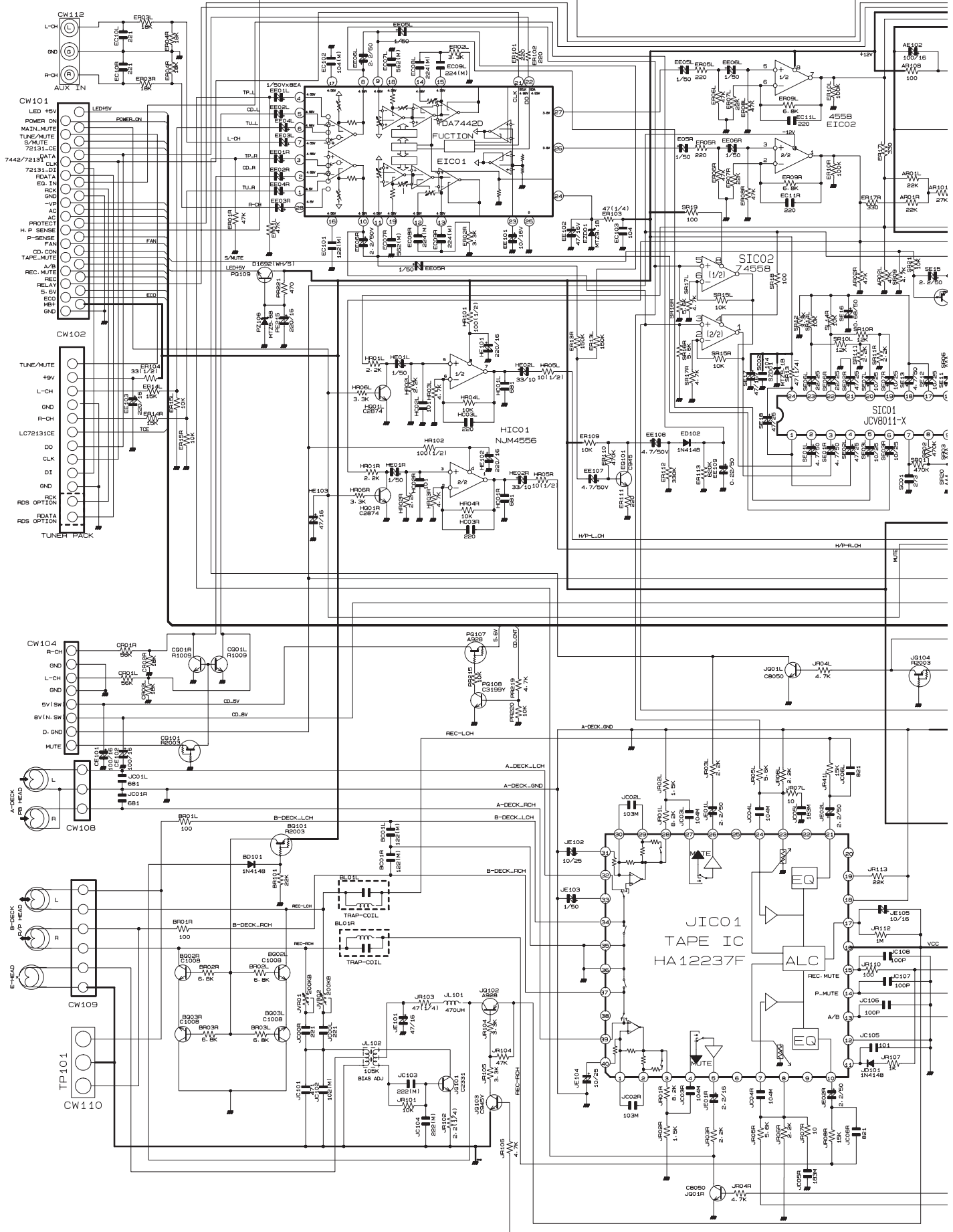
Block diagram

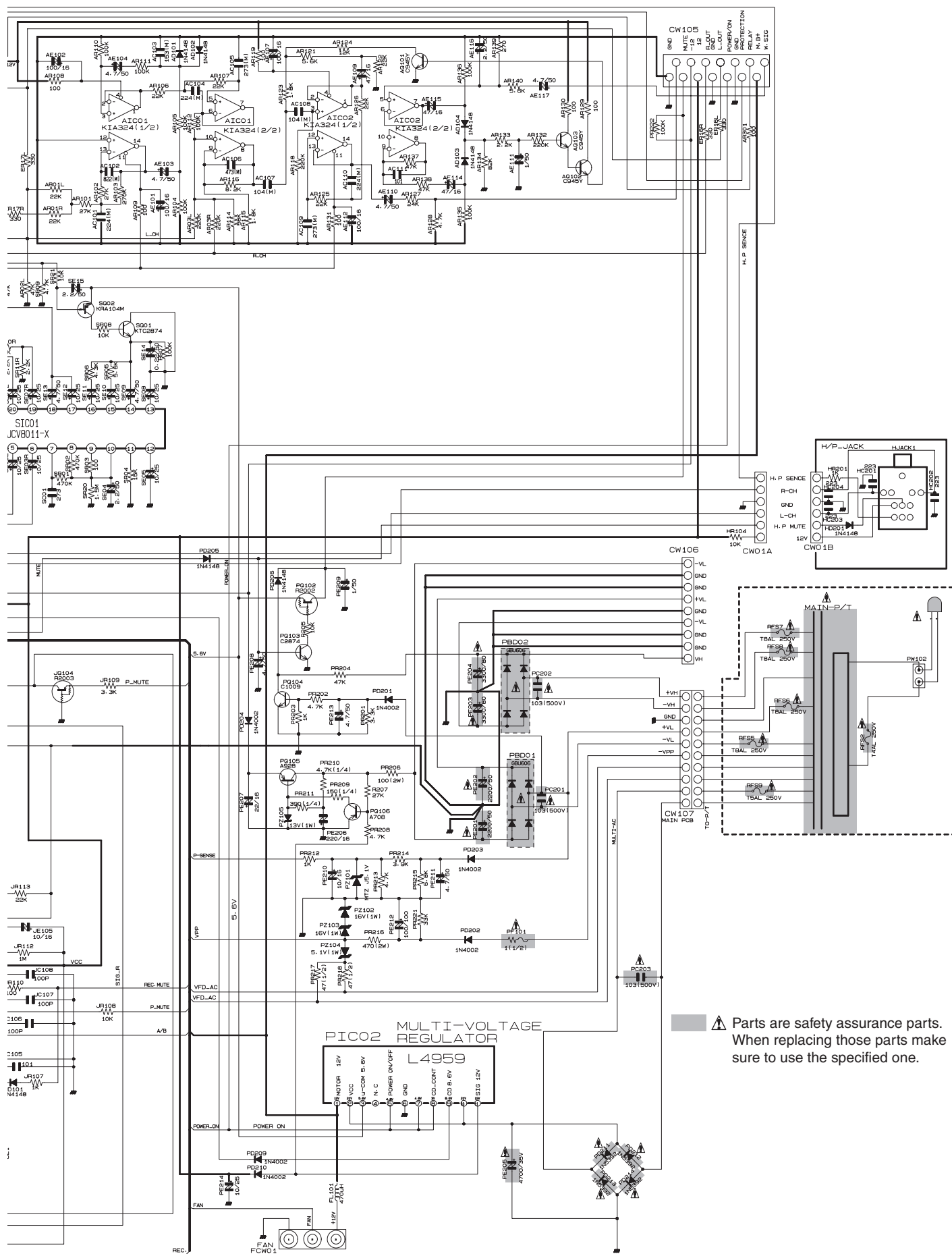




Standard schematic diagrams

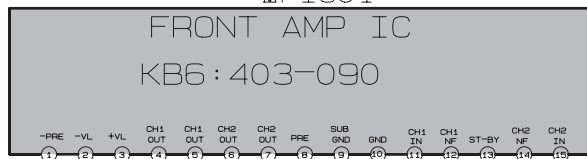
■ Main section (MX-GB6)





■ Amp section (MX-GB6)

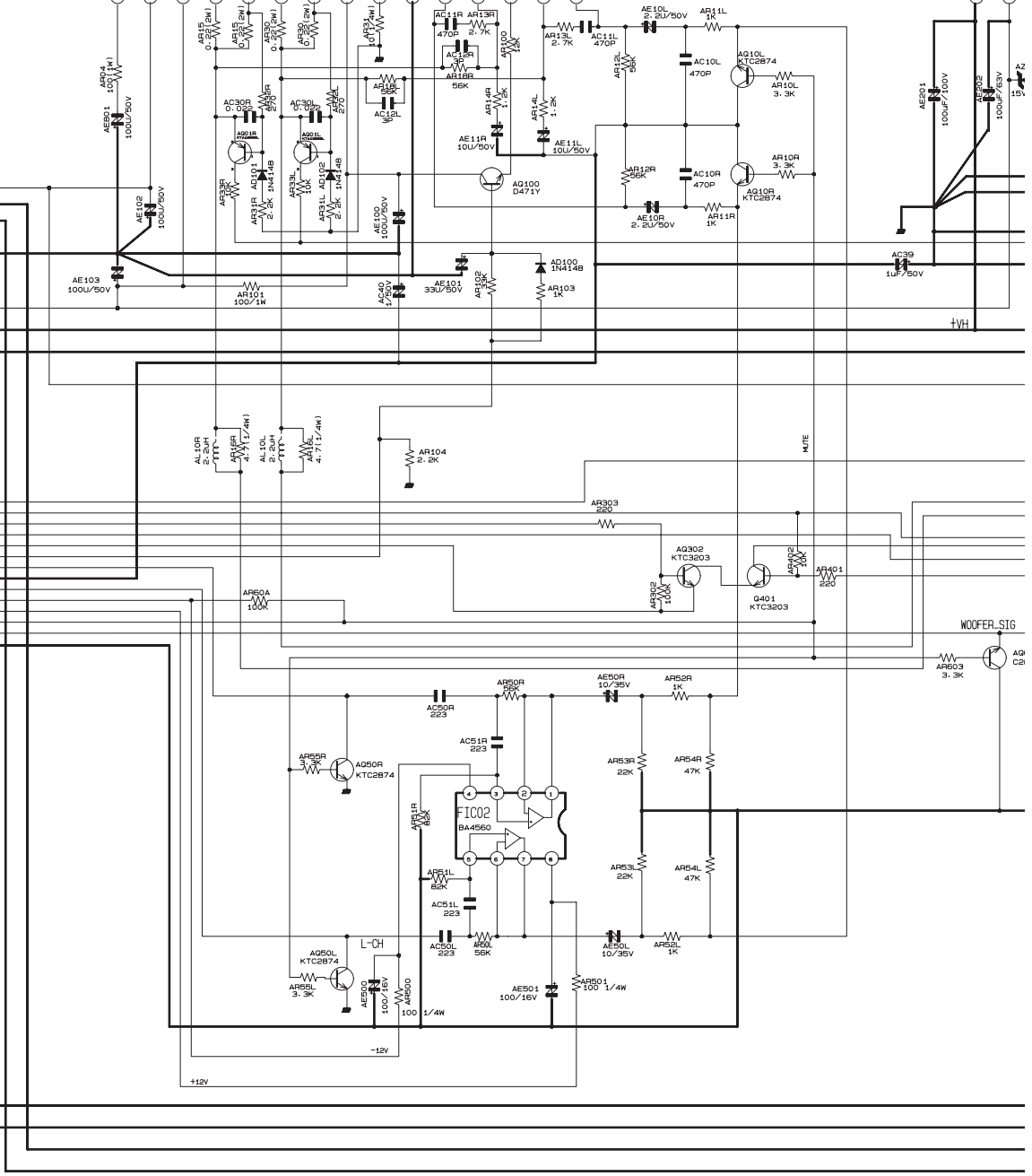
▲ FIC01



FRONT AMP IC
KB6 : 403-090

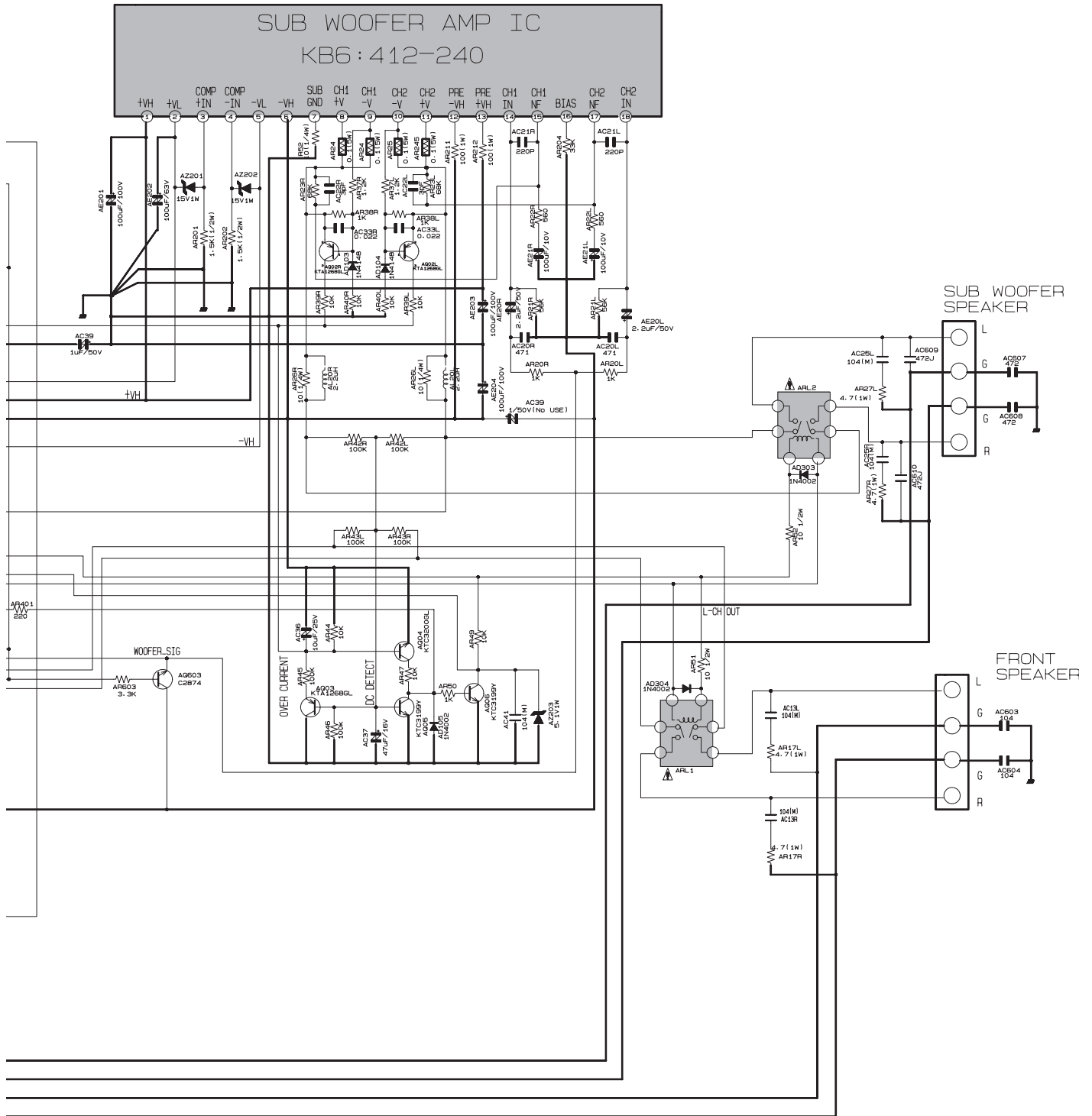
ACW2	1	-VL
	2	GND
	3	GND
	4	+VL
	5	GND
	6	-VH
	7	GND
	8	GND
	9	+VH

ACW1	1	W. SIG
	2	12V-RELAY
	3	RELAY
	4	PROTECTION
	5	GND-RELAY
	6	POWER-ON/OFF
	7	R-CH
	8	GND
	9	L-CH
	10	-12V
	11	+12V
	12	NOTE
	13	W. CON
	14	GND



▲ Parts are safety assurance parts. When replacing those parts make sure to use the specified one.

▲ WICO1



NOTES

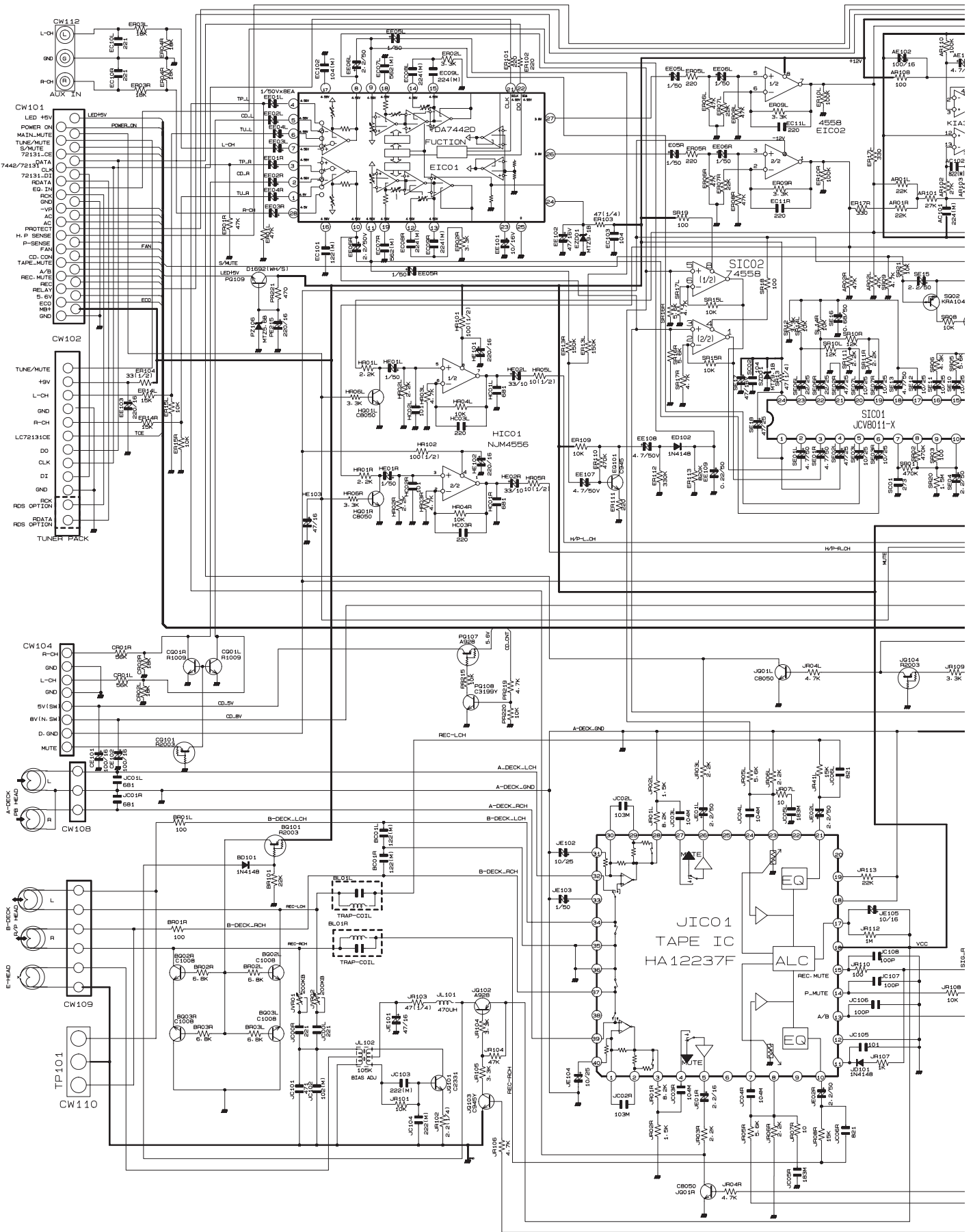
1. VOLTAGES ARE DC-MEASURED WITH A DIGITAL VOLTAGE METER OR OSCILLOSCOPE WITHOUT INPUT SIGNAL.
CONDITION --- AUX MODE. VOL MIN. SOUND TORBO OFF.

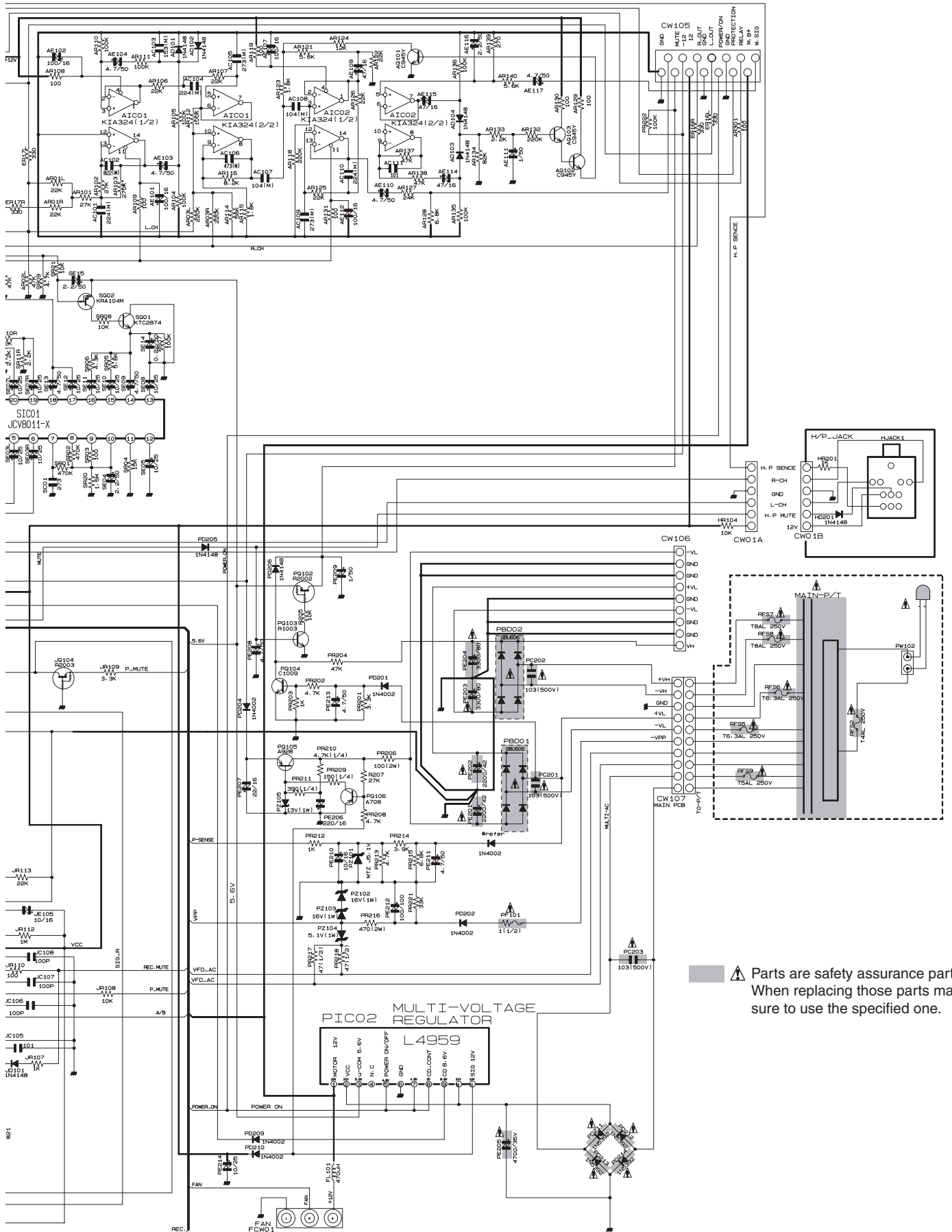
2. UNLESS OTHERWISE SPECIFIED.


RESISTORS ARE 1/8W, 5% CARBON RESISTOR.
ALL RESISTANCE VALUES ARE IN OHM(Ω)
ALL CAPACITORS ARE CERAMIC CAPACITOR OR MYLAR CAPACITOR.
ALL INDUCTANCE VALUED ARE IN H(m=MH).
ALL F. CAPACITORS ARE SHOWN IN THE FROM OF CAPACITANCE (μF)/RATED VOLTAGE (V).

safety assurance parts.
lacing those parts make
se the specified one.

■ Main section (MX-GB5)

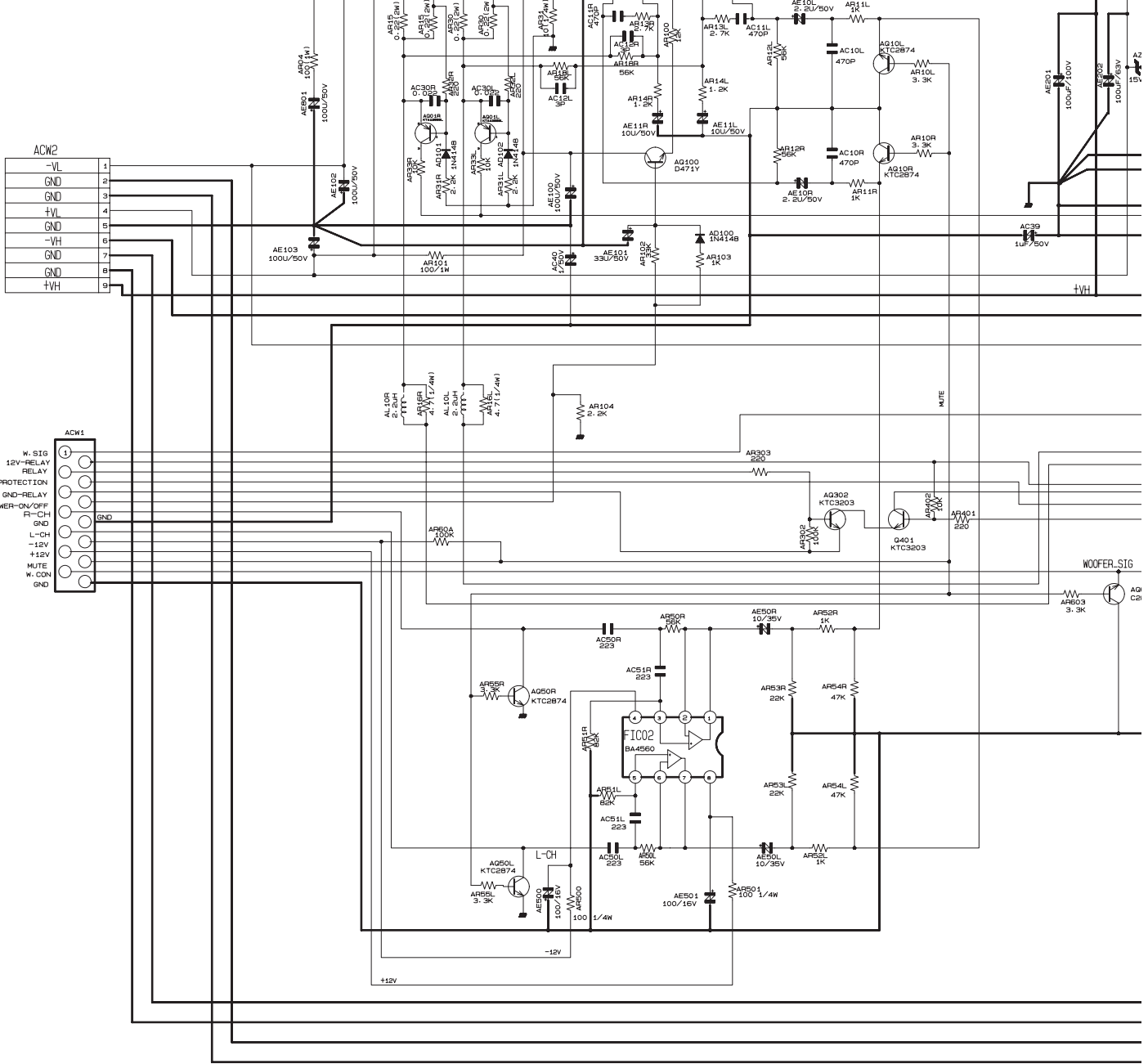
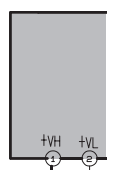
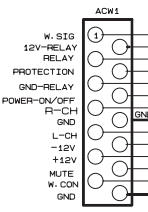
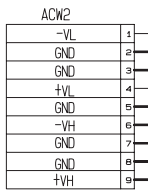
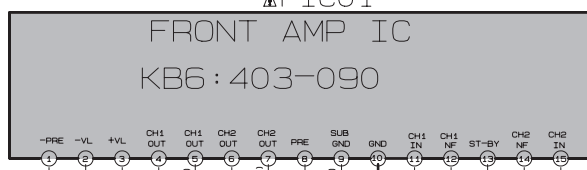





 Parts are safety assurance parts. When replacing those parts make sure to use the specified one.

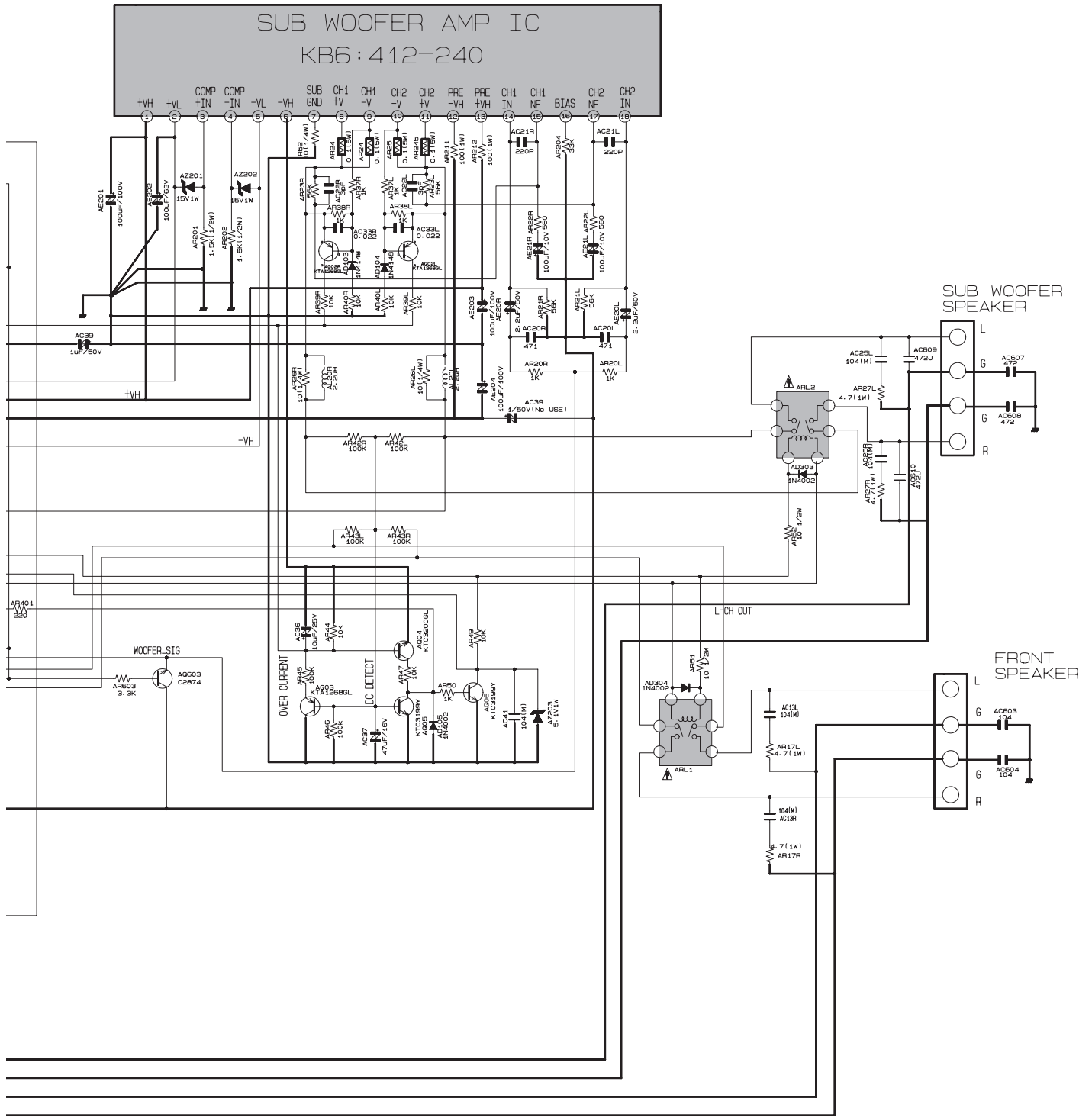
■ Amp section (MX-GB5)

▲ FIC01



▲ Parts are safety assurance |
When replacing those parts
sure to use the specified on

▲ WICO1



NOTES

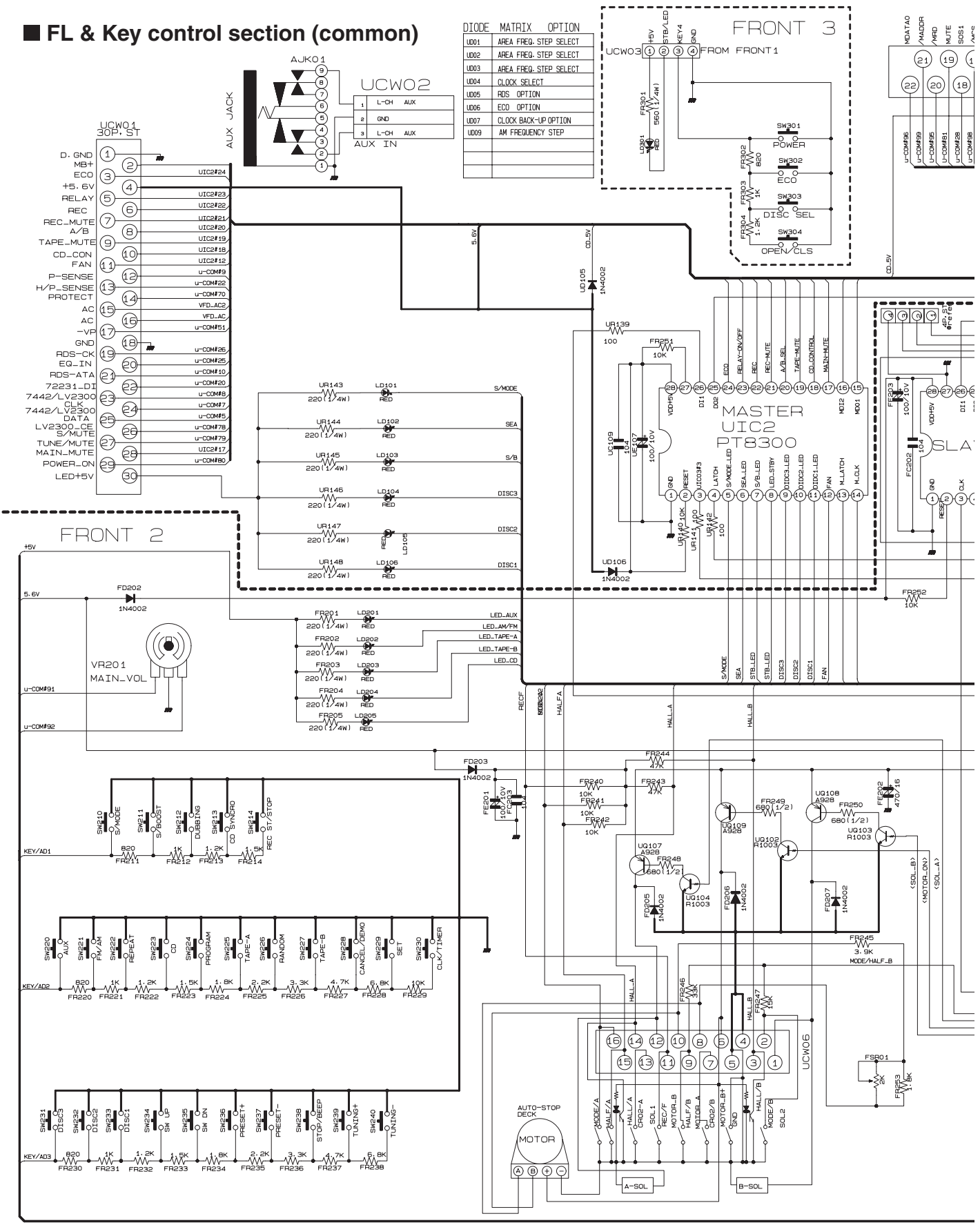
1. VOLTAGES ARE DC-MEASURED WITH A DIGITAL VOLTAGE METER OR OSCILLOSCOPE WITHOUT INPUT SIGNAL. CONDITION --- AUX MODE, VOL MIN, SOUND TORBO OFF.
2. UNLESS OTHERWISE SPECIFIED.
RESISTORS ARE 1/8W, 5%, CARBON RESISTOR.
ALL RESISTANCE VALUES ARE IN OHM()
ALL CAPACITORS ARE CERAMIC CAPACITOR OR MYLAR CAPACITOR.
ALL INDUCTANCE VALUED ARE IN H(mH).
ALL F. CAPACITORS ARE SHOWN IN THE FROM OF CAPACITANCE (uF)/RATED VOLTAGE (V).

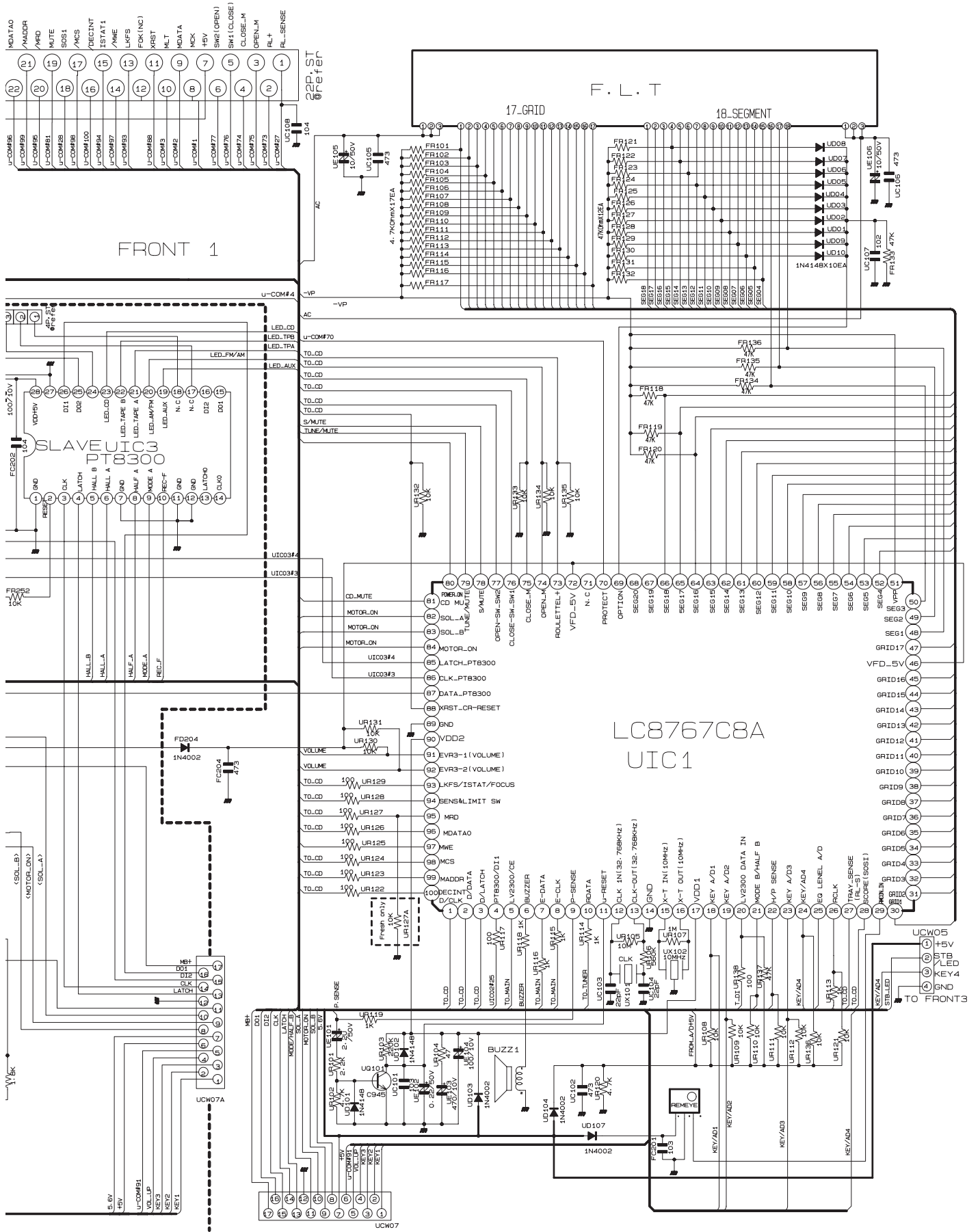
parts are safety assurance parts.
When replacing those parts make
sure to use the specified one.

FL & Key control section (common)

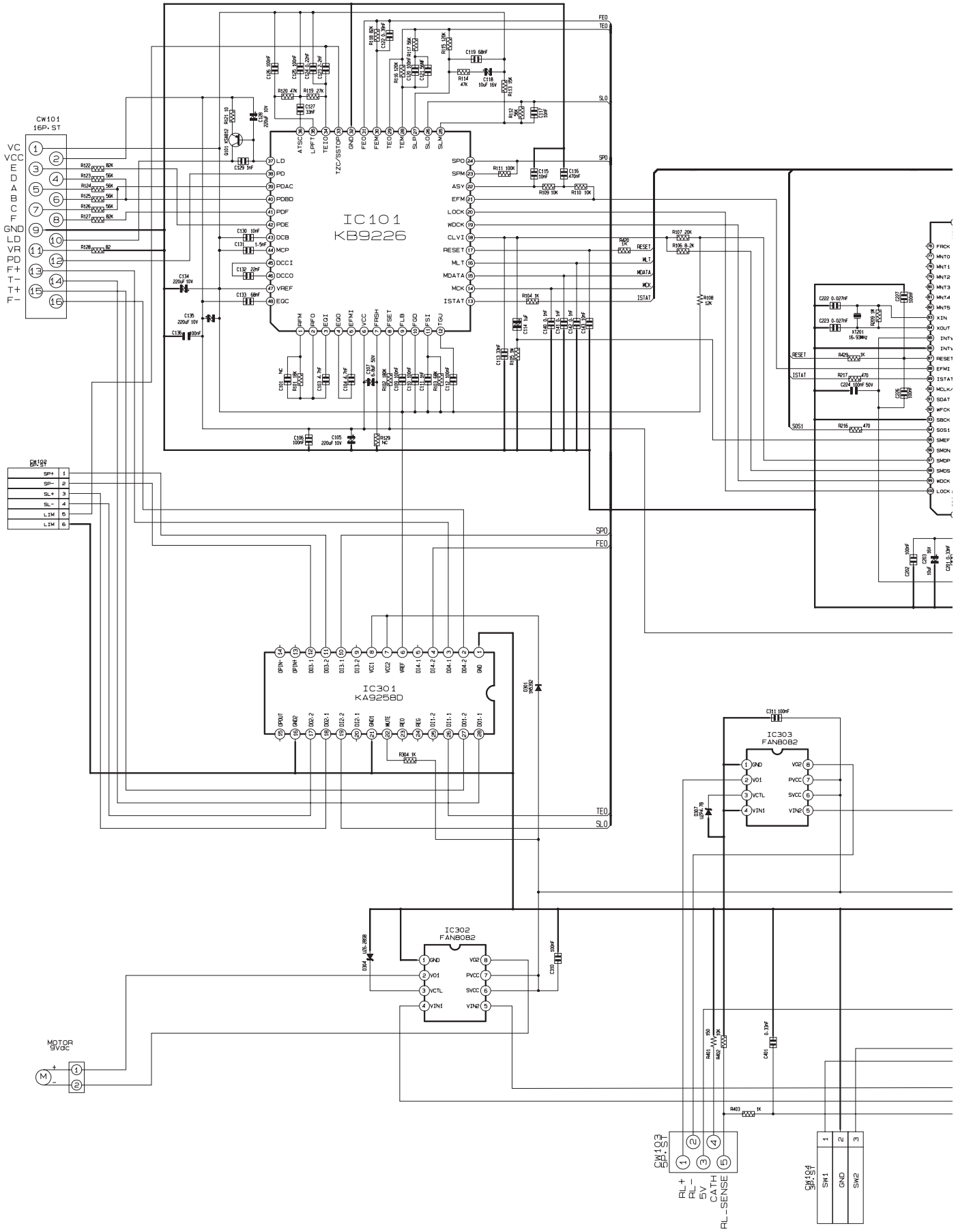
DIODE MATRIX OPTION

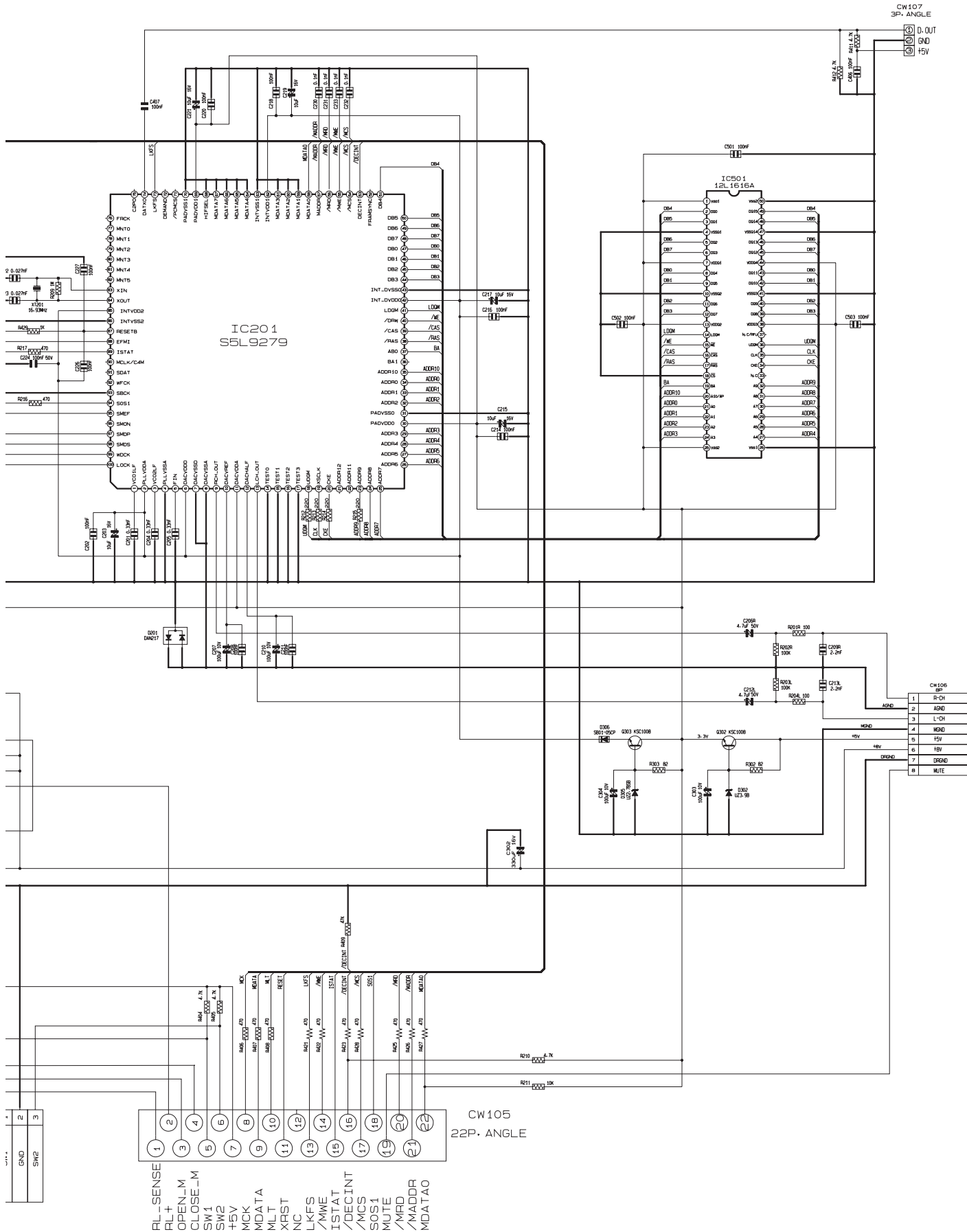
UD01	AREA FREQ. STEP SELECT
UD02	AREA FREQ. STEP SELECT
UD03	AREA FREQ. STEP SELECT
UD04	CLOCK SELECT
UD05	RDS OPTION
UD06	ECO OPTION
UD07	CLOCK BACK-UP OPTION
UD09	AM FREQUENCY STEP





■ CD section (common)





CW107
3P. ANGLE

D.OUT
GND
+5V

IC201
S5L9279

IC501
12L1616A

1
2
3
GND
SW2

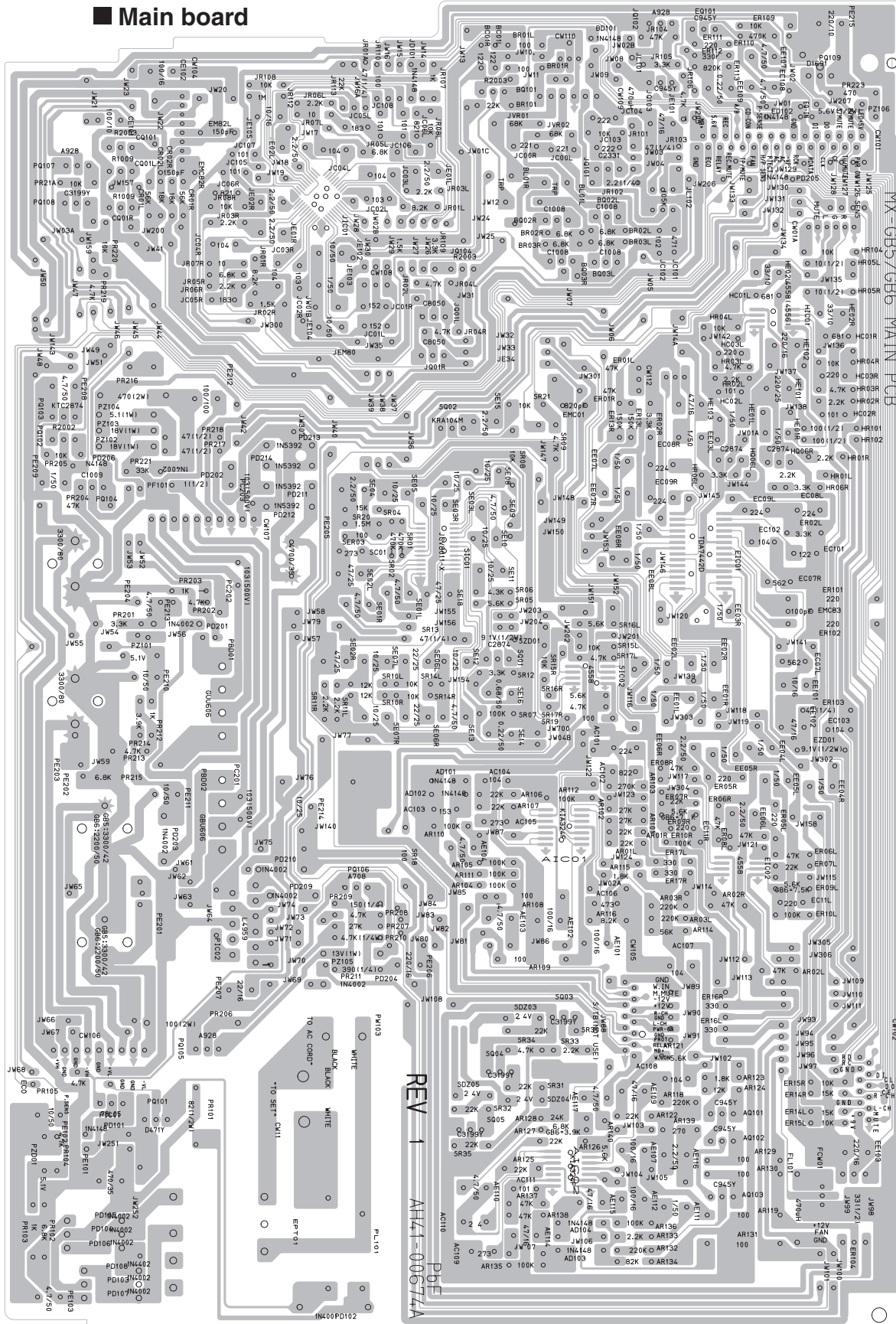
1
2
3
4
5
6
7
8
9
10
11
12
13
14
15
16
17
18
19
20
21
22
RL_SENSE
RL+
OPEN_M
CLOSE_M
SW1
SW2
+5V
MCK
MDATA
MLT
XRST
NC
LKFS
/MWE
/MCS
/MCS
SOS1
MUTE
/MRD
/MADR
MDATA0

CW105
22P. ANGLE

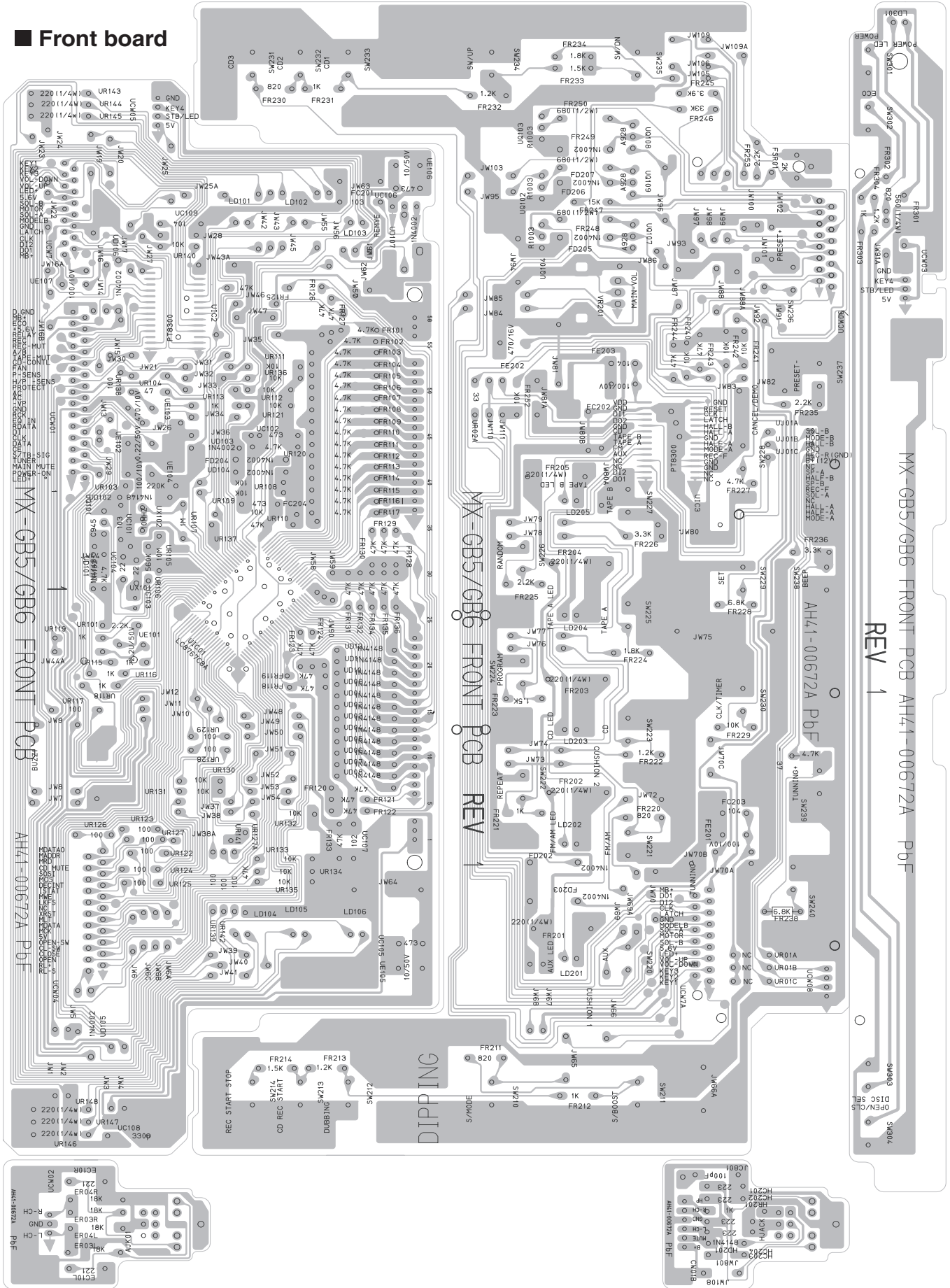
1
2
3
4
5
6
7
8
R-CH
R-ND
L-CH
M-ND
+5V
+5V
+5V
MUTE

Printed circuit boards

■ Main board



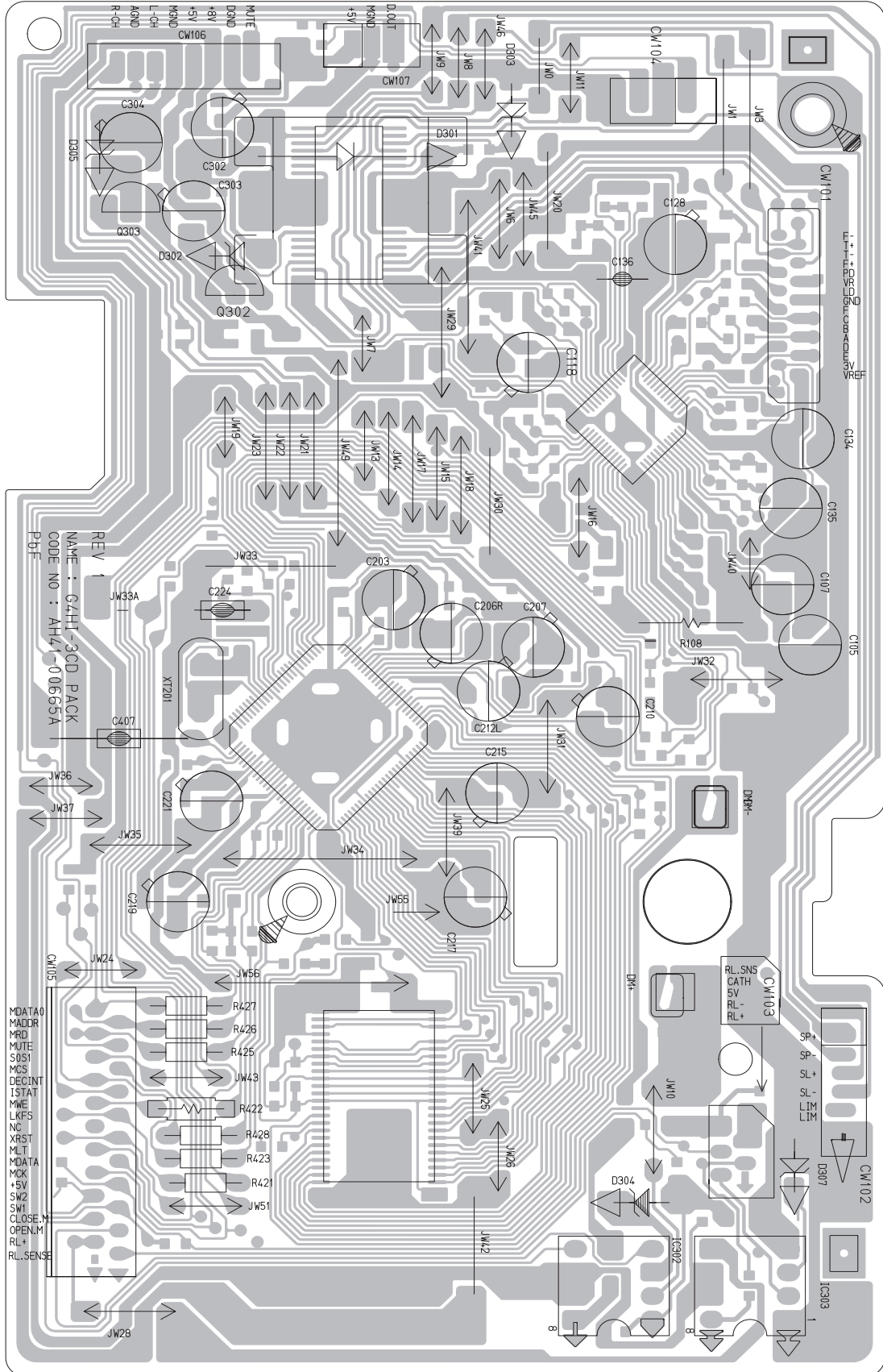
■ Front board



MX-GB5/GB6 FRONT PCB AH41-00672A PbF

REV 1

CD board



JVC

VICTOR COMPANY OF JAPAN, LIMITED

AV & MULTIMEDIA COMPANY AUDIO/VIDEO SYSTEMS CATEGORY 10-1, 1chome, Ohwatari-machi, Maebashi-city, 371-8543, Japan

(No.MB160SCH)



Printed in Japan
WPC

PARTS LIST

[MX-GB6 / MX-GB5]

* All printed circuit boards and its assemblies are not available as service parts.

Area suffix

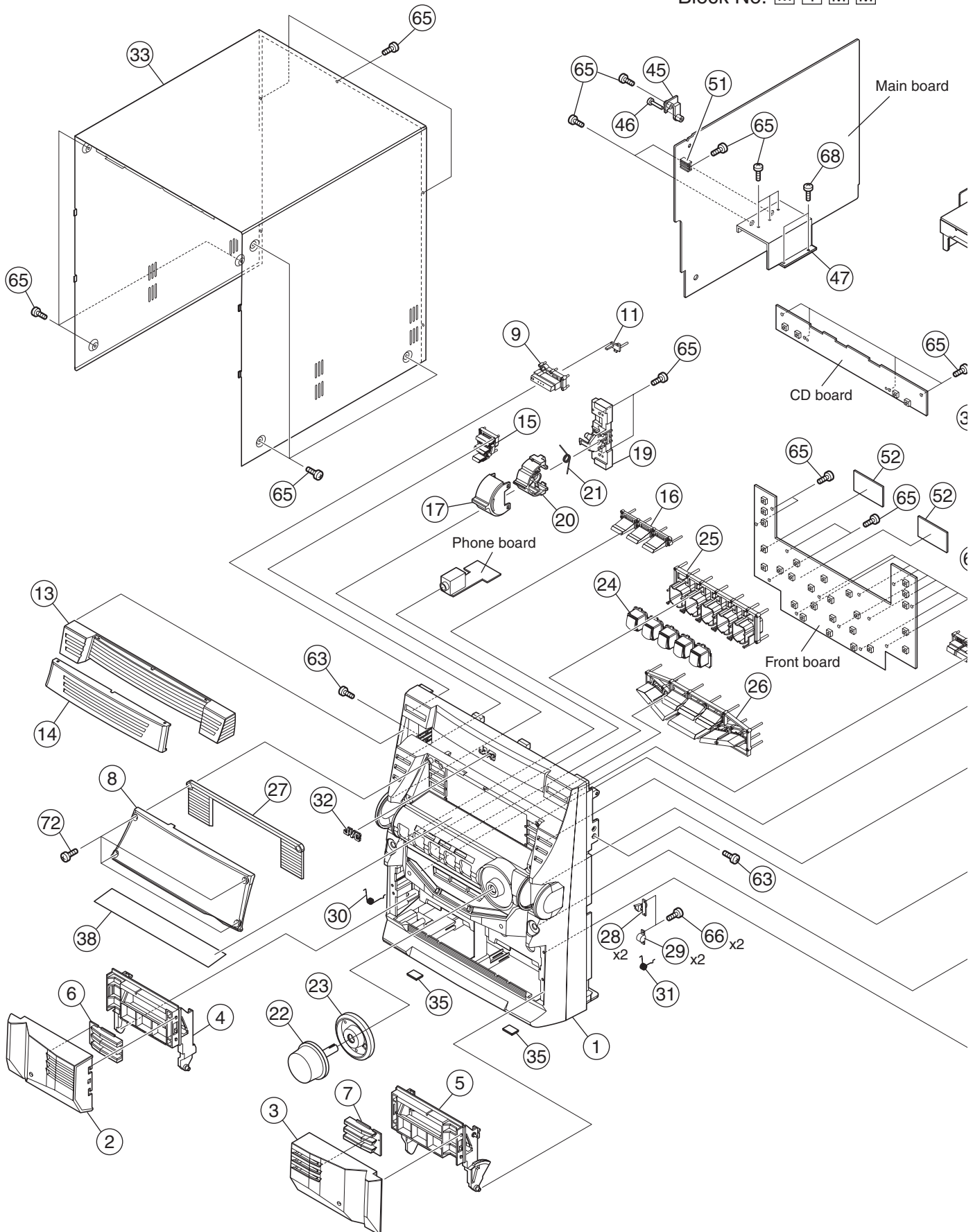
J ----- U.S.A.
C ----- Canada

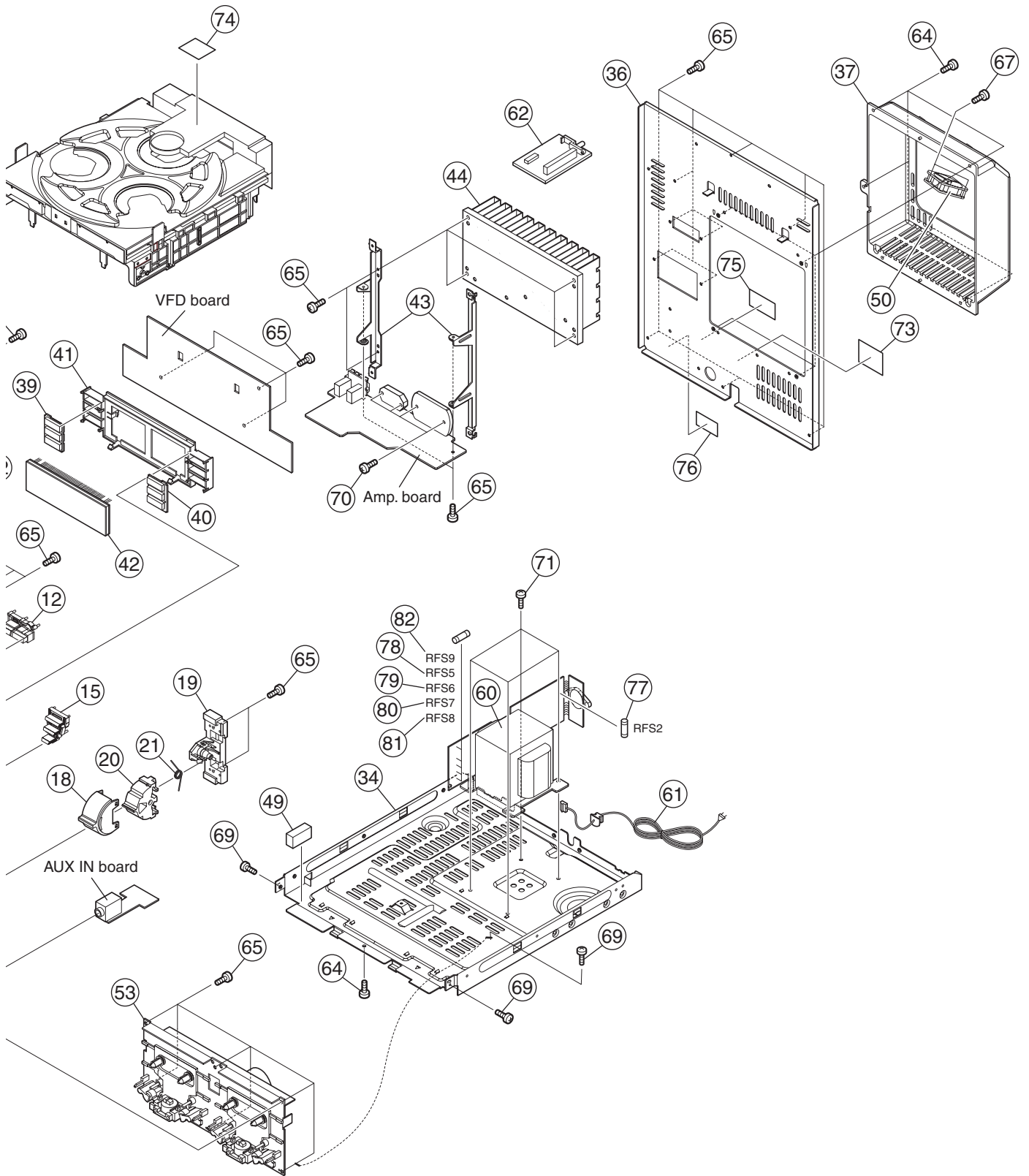
- Contents -

Exploded view of general assembly and parts list (Block No.M1)	3- 2
CD changer mechanism assembly and parts list (Block No.MA)	3- 6
Cassette mechanism assembly and parts list (Block No.MP)	3- 8
Electrical parts list (Block No.01~04)	3-10
Packing materials and accessories parts list (Block No.M3)	3-18

Exploded view of general assembly and parts list

Block No. M 1 M M





General Assembly

Block No. [M][1][M][M]

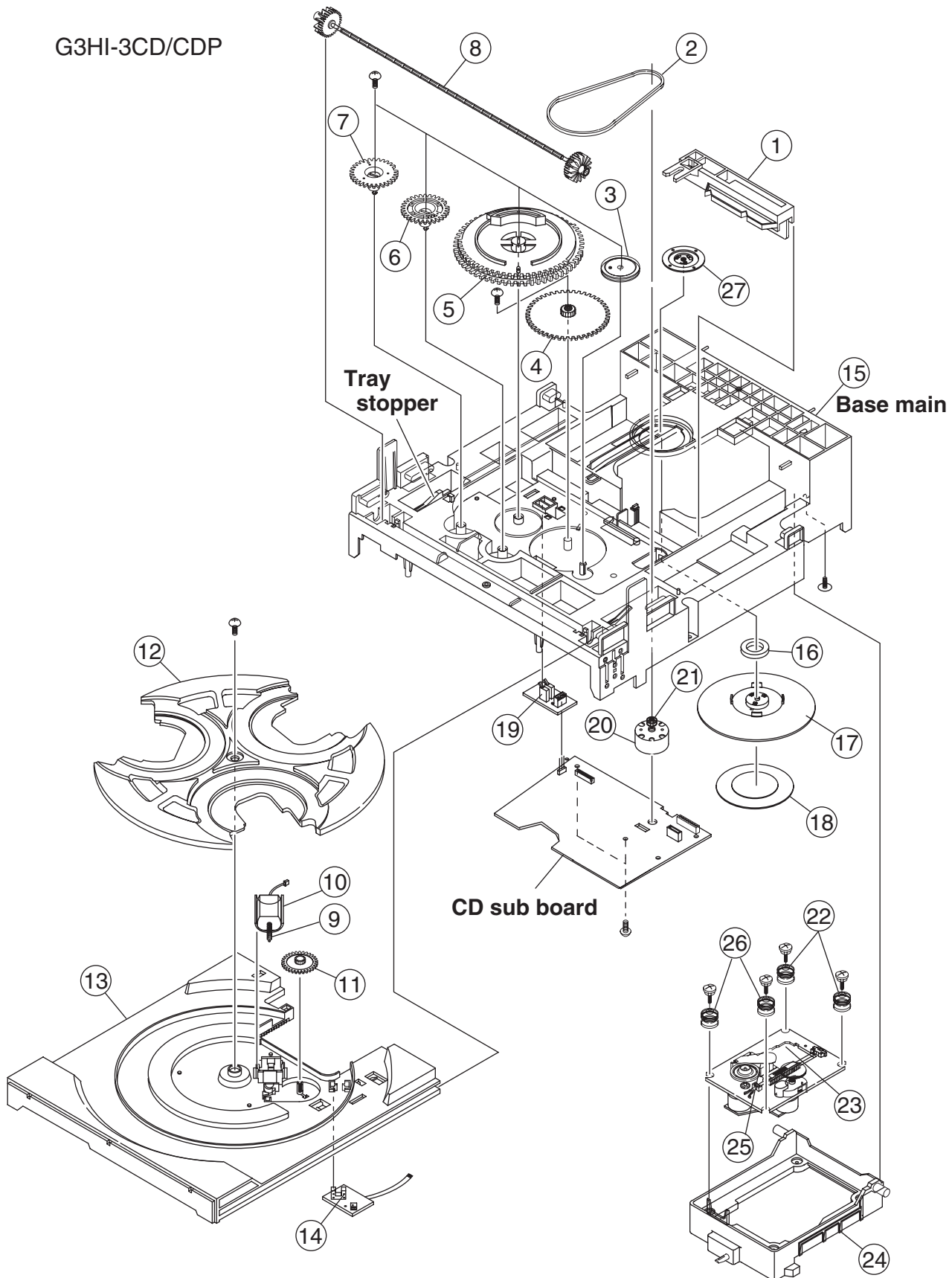
△	Symbol No.	Part No.	Part Name	Description	Local
	1	AH64-02710B	CABINET	FRONT	
	2	AH64-02711B	DOOR	CASS A	
	3	AH64-02712B	DOOR	CASS B	
	4	AH61-01495A	HOLDER	CASS A	
	5	AH61-01496A	HOLDER	CASS B	
	6	AH64-02713A	WINDOW	DOOR A	
	7	AH64-02714A	WINDOW	DOOR B	
	8	AH64-02725B	WINDOW	VFD	GB5
	8	AH64-02725C	WINDOW	VFD	GB6
	9	AH64-02717B	KNOB	POWER	
	11	AH67-00249A	LENS	POWER	
	12	AH64-02719B	KNOB	DISC	
	13	AH64-02715B	DOOR	CD	
	14	AH64-02716A	WINDOW	DOOR-CD	
	15	AH64-02720B	KNOB	REC(x2)	
	16	AH64-02721B	KNOB	PROGRAM	
	17	AH61-01500B	CAP	SOUND MODE	
	18	AH61-01500C	CAP	SOUND MODE	
	19	AH61-01498A	HOLDER	SOUND-LEVEL(x2)	
	20	AH61-01497A	HOLDER	SOUND-MODE(x2)	
	21	AH61-01499A	SPRING	SOUND(x2)	
	22	AH64-02722B	KNOB	VOLUME	
	23	AH64-02724B	DECO-RING	ABS NATURAL	
	24	AH67-00250B	LENS	FUNCTION	
	25	AH61-01502A	HOLDER	FUNCTION	
	26	AH64-02723B	KNOB	DECK	
	27	AH67-00253B	LENS	INNER	
	28	AH95-50001A	LATCH ASSY	(x2)	
	29	AH61-80030A	DAMPER GEAR	(x2)	
	30	AH61-00552A	SPRING	EJECT A	
	31	AH61-00553A	SPRING	EJECT B	
	32	AH64-00462C	BADGE	JVC	
	33	AH64-30390L	CABINET	TOP	
	34	AH64-02840A	CABINET	BOTTOM	
	35	AH69-20031A	FOOT	(x2)	
	36	AH64-02273G	CABINET	REAR	
	37	AH63-00250B	COVER	HEAT SINK	
	38	AH63-00686A	MIRROR SHEET	HALF-MIRROR	
	39	AH67-00251B	LENS	SURROUND	
	40	AH67-00252B	LENS	DISC	
	41	AH61-01501A	HOLDER	VFD	
	42	AH07-00098A	VFD-DISPLAY		GB5
	42	AH07-00098B	VFD-DISPLAY		GB6
	43	AH61-01262A	BRACKET	HEAT SINK(x2)	
	44	AH62-00080H	HEAT SINK		
	45	AH61-00021B	SUPPORT-PCB		
	46	AH61-40014A	SUPPORT-RIVET		
	47	AH62-00042C	HEAT-SINK		
	49	AH63-00652C	CUSHION		
	50	AH31-00040A	FAN-MOTOR		
	51	AH62-00099A	HEAT SINK TR		
	52	AH63-00075B	SHEET-CUSHION	(x2)	
	53	AH59-01305A	CASSETTE MECHA	CWM43FF38	
△	60	AH26-00230A	POWER TRANS		GB5
△	60	AH26-00295A	POWER TRANS		GB6
△	61	AH39-00258J	POWER CORD		
	62	AH40-00044A	TUNER		
	63	6002-000126	SCREW	FH 2S M3x10 BLACK(x2)	
	64	6003-000275	SCREW	BH 2S M3x10 BLACK(x6)	
	65	6003-000276	SCREW	BH 2S M3x10 YEL(x63)	
	66	6003-000277	SCREW	BH 2S M3x12 YEL(x2)	
	67	6003-001129	SCREW	BH 2S M3x14 BLACK(x2)	
	68	6003-000283	SCREW	BH 2S M3x8 YEL(x2)	
	69	6002-000398	SCREW	BH 2S M3x6 YEL(x3)	
	70	6003-001230	SCREW	BH 2S M3x16 YEL(x4)	
	71	AH60-00014A	SCREW	TH 4x6 YEL(x4)	
	72	AH64-01106G	SCREW	(x4)	
	73	AH68-01434A	RATING LABEL		GB5J
	73	AH68-01434B	RATING LABEL		GB5C
	73	AH68-01434G	LABEL-RATING		GB6J
	73	AH68-01434H	LABEL-RATING		GB6C
	74	AH68-50275D	STICKER	CD	
	75	AH68-00331C	FCC LABEL		
	76	AH68-00331D	HHS LABEL		J

△	Symbol No.	Part No.	Part Name	Description	Local
	76	AH68-00331N	CAUTION LABEL		C
△	77	3601-000414	FUSE	RFS2 250V 5A	GB5
△	77	3601-001007	FUSE	RFS2 250V 6.3A	GB6
△	78	3601-001007	FUSE	RFS5 250V 6.3A	GB5
△	78	3601-001277	FUSE	RFS5 250V 8A	GB6
△	79	3601-001007	FUSE	RFS6 250V 6.3A	GB5
△	79	3601-001277	FUSE	RFS6 250V 8A	GB6
△	80	3601-001277	FUSE	RFS7 250V 8A	
△	81	3601-001277	FUSE	RFS8 250V 8A	
△	82	3601-000414	FUSE	RFS9 250V 5A	

CD changer mechanism assembly and parts list

Block No. M A M M

G3HI-3CD/CDP



CD changer mechanism

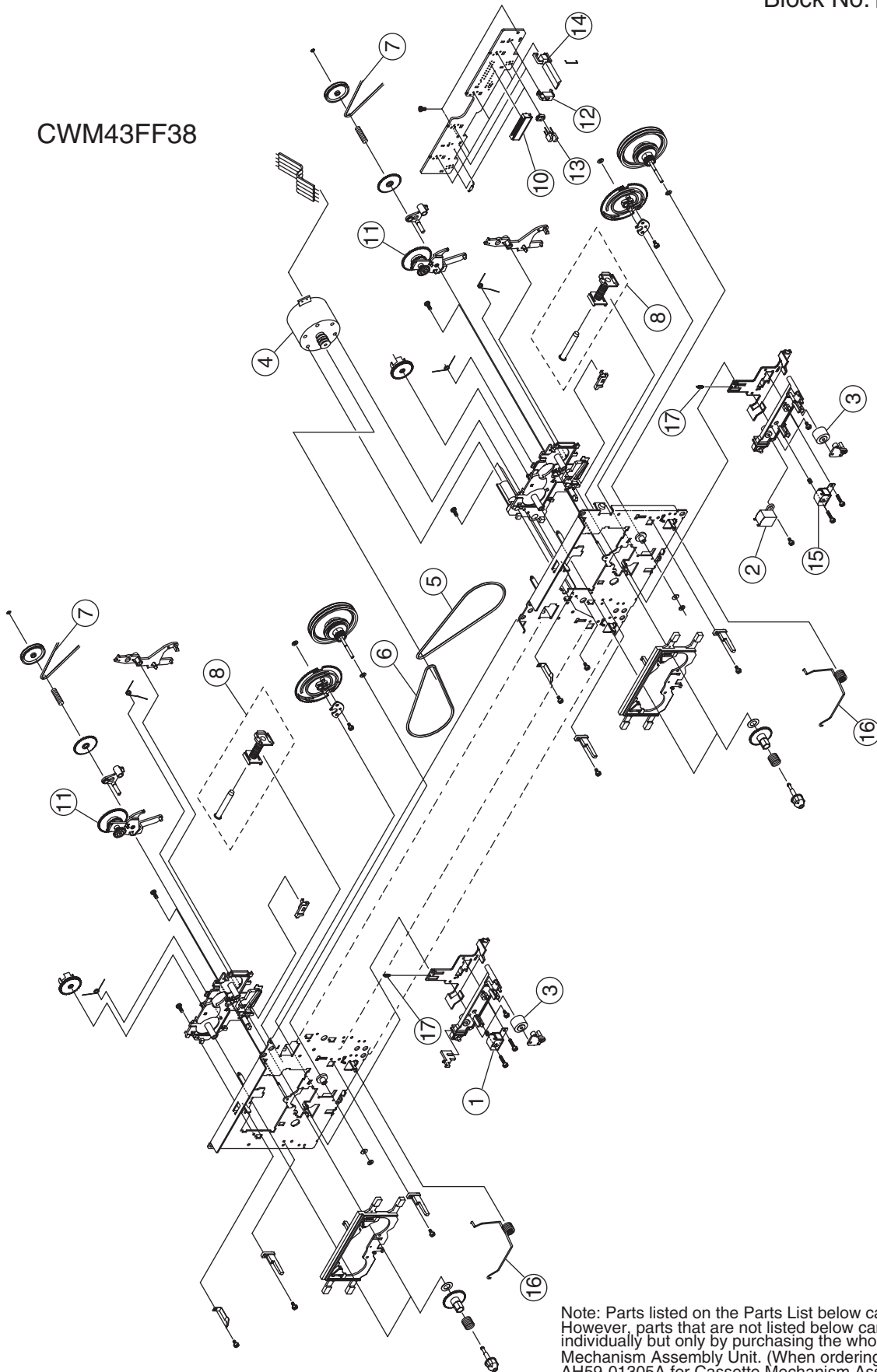
Block No. [M][A][M][M]

△ Symbol No.	Part No.	Part Name	Description	Local
1	AH66-80022A	SLIDER CAM	HF-380 NTR	
2	AH66-60034A	BELT LOAD	CR	
3	AH66-20186A	GEAR PULLEY	POM M90-44 WHT	
4	AH66-20187A	GEAR LOAD	POM M90-44 BLK	
5	AH66-20188B	GEAR CAM	POM M90-44 WHT	
6	AH66-20189B	GEAR TRAY	POM M90-44 BLK	
7	AH66-20190B	GEAR CONVERTOR	POM M90-44 WHT	
8	AH66-20191A	GEAR SYNCRO	ABS HF-380 NTR	
9	AH66-20192A	GEAR WORM	POM M90-44 WHT	
10	AH31-12001A	LOADING MOTOR	FF-030PN-09120	
11	AH66-20193A	GEAR ROULETTE	POM M90-44 BLK	
12	AH63-00324A	TRAY ROULETTE	ABX XR-401 BLK	
13	AH63-00325A	TRAY DISC	ABS BLK	
14	AH32-10001F	SENSOR	KPI-L06	
15	AH61-00837A	BASE MAIN	CMS-300 NATURAL	
16	3302-000159	P.C.MAGNET	3500-3800G	
17	AH63-90053A	TABLE CHUCK	BLK	
18	AH63-00068B	SHEET CHUCK	HYMERON BLK 0.4T	
19	3405-000101	SWITCH MICRO	MLS-24	
20	AH31-10021A	DC MORTOR	RF-500TB 9VDC/130MA	
21	AH66-10008A	PULLEY MOTOR	BLK CMS-CR3	
22	AH73-10031A	RUBBER CD	RED(x2)	
23	AH91-60150C	CDP DECK ASSY	CMS-D73SG6U	
24	AH66-30098A	LEVER-LIFTER	BLK CMS-300	
25	AH30-00007A	CD PICK UP	SOH-AD3	
26	AH73-10034A	RUBBER-CD	CMS-300 GREEN(x2)	
27	AH61-00225A	BRKT CHUCK	SECL 0.8T	

Cassette mechanism assembly and parts list

Block No. M P M M

CWM43FF38



Note: Parts listed on the Parts List below can be supplied. However, parts that are not listed below cannot be supplied individually but only by purchasing the whole Cassette Mechanism Assembly Unit. (When ordering, use the Parts No. AH59-01305A for Cassette Mechanism Assembly Unit.)

Cassette mechanism

Block No. [M][P][M][M]

△	Symbol No.	Part No.	Part Name	Description	Local
	1	AH81-01415A	P/B HEAD	T21V0CAB	
	2	AH81-01416A	E HEAD	TC231F	
	3	AH81-00472N	PINCH ROLLER	22-027-41054(x2)	
	4	AH81-00902E	MOTOR ASSY	50-093-4879	
	5	AH81-00902G	BF BELT	02-083-4236	
	6	AH81-00902J	AF BELT	02-083-4234	
	7	AH81-00902K	FR BLET	02-083-4188(x2)	
	8	AH81-00902L	SOLENOID ASSY	50-093-4748(x2)	
	10	AH81-00902Q	HOUSING	6216016100	
	11	AH81-00472V	CLUTCH ASSY	50-093-4503(x2)	
	12	AH81-00902W	MODE SWITCH		
	13	AH81-00902X	PHOTO INTERRUPT		
	14	AH81-00902Y	LEAF SWITCH		
	15	AH81-01414A	R/P HEAD	T21V1CAA	
	16	AH81-01417A	SPRING62	01-082-4688(x2)	
	17	AH81-00473H	SPRING 04	01-080-4635(x2)	

Electrical parts list

Main board

Block No. [0][1][0][0]

△ Symbol No.	Part No.	Part Name	Description	Local
AIC01	KIA324	IC	1201-000471	
AIC02	KIA324	IC	1201-000471	
EIC01	TDA7442D	IC	1204-001776	
EIC02	4558	IC	1201-000461	
HIC01	NJM4556	IC	1201-000461	
JIC01	HA12237F	IC	1201-001899	
PIQ02	L4959	IC	1203-001653	
SIC01	JCV8011	IC	1204-002268	
SIC02	4558	IC	1201-000461	
△ PC201	2201-000161	C CAPACITOR	10nF	
△ PC202	2201-000161	C CAPACITOR	10nF	
△ PC203	2201-000161	C CAPACITOR	10nF	
AC101	2301-000216	M CAPACITOR	220nF	
AC102	2301-000474	M CAPACITOR	8.2nF	
AC103	2301-000390	M CAPACITOR	15nF	
AC104	2201-000783	C CAPACITOR	100nF	
AC105	2301-000419	M CAPACITOR	27nF	
AC106	2301-000449	M CAPACITOR	47nF	
AC107	2301-000375	M CAPACITOR	100nF	
AC108	2301-000375	M CAPACITOR	100nF	
AC109	2301-000419	M CAPACITOR	27nF	
AC110	2301-000216	M CAPACITOR	220nF	
AC111	2201-000146	C CAPACITOR	0.1nF	
AD101	1N4148	GE DIODE	0401-000101	
AD102	1N4148	GE DIODE	0401-000101	
AD103	1N4148	GE DIODE	0401-000101	
AD104	1N4148	GE DIODE	0401-000101	
AE101	2401-001895	E CAPACITOR	100uF 20% 16V	
AE102	2401-001895	E CAPACITOR	100uF 20% 16V	
AE103	2401-001954	E CAPACITOR	4.7uF 20% 50V	
AE104	2401-001954	E CAPACITOR	4.7uF 20% 50V	
AE107	2401-001895	E CAPACITOR	100uF 20% 16V	
AE109	2401-001975	E CAPACITOR	47uF 20% 16V	
AE110	2401-001954	E CAPACITOR	4.7uF 20% 50V	
AE112	2401-001895	E CAPACITOR	100uF 20% 16V	
AE114	2401-001975	E CAPACITOR	47uF 20% 16V	
AE115	2401-001975	E CAPACITOR	47uF 20% 16V	
AE116	2401-002180	E CAPACITOR	2.2uF 20% 50V	
AE117	2401-001954	E CAPACITOR	4.7uF 20% 50V	
AQ101	KSC945	TRANSISTOR	0501-000398	
AQ102	KSC945	TRANSISTOR	0501-000398	
AQ103	KSC945	TRANSISTOR	0501-000398	
AR01L	2001-000522	C RESISTOR	22KOHM 5% 1/8W	
AR01R	2001-000522	C RESISTOR	22KOHM 5% 1/8W	
AR02L	2001-000786	C RESISTOR	47KOHM 5% 1/8W	
AR02R	2001-000786	C RESISTOR	47KOHM 5% 1/8W	
AR03L	2001-000508	C RESISTOR	220KOHM 5% 1/8W	
AR03R	2001-000508	C RESISTOR	220KOHM 5% 1/8W	
AR101	2001-000563	C RESISTOR	27KOHM 5% 1/8W	
AR102	2001-000563	C RESISTOR	27KOHM 5% 1/8W	
AR103	2001-000548	C RESISTOR	270KOHM 5% 1/8W	
AR104	2001-000273	C RESISTOR	100KOHM 5% 1/8W	
AR105	2001-000273	C RESISTOR	100KOHM 5% 1/8W	
AR106	2001-000522	C RESISTOR	22KOHM 5% 1/8W	
AR107	2001-000522	C RESISTOR	22KOHM 5% 1/8W	
AR108	2001-000281	C RESISTOR	100OHM 5% 1/8W	
AR109	2001-000281	C RESISTOR	100OHM 5% 1/8W	
AR110	2001-000273	C RESISTOR	100KOHM 5% 1/8W	
AR111	2001-000273	C RESISTOR	100KOHM 5% 1/8W	
AR112	2001-000273	C RESISTOR	100KOHM 5% 1/8W	
AR114	2001-000864	C RESISTOR	56KOHM 5% 1/8W	
AR115	2001-000258	C RESISTOR	1.8KOHM 5% 1/8W	
AR116	2001-000977	C RESISTOR	8.2KOHM 5% 1/8W	

△ Symbol No.	Part No.	Part Name	Description	Local
AR118	2001-000508	C RESISTOR	220KOHM 5% 1/8W	
AR119	2001-000281	C RESISTOR	100OHM 5% 1/8W	
AR121	2001-000802	C RESISTOR	5.6KOHM 5% 1/8W	
AR122	2001-000522	C RESISTOR	22KOHM 5% 1/8W	
AR123	2001-000258	C RESISTOR	1.8KOHM 5% 1/8W	
AR124	2001-000331	C RESISTOR	12KOHM 5% 1/8W	
AR125	2001-000522	C RESISTOR	22KOHM 5% 1/8W	
AR126	2001-000522	C RESISTOR	22KOHM 5% 1/8W	
AR127	2001-000539	C RESISTOR	24KOHM 5% 1/8W	
AR128	2001-000890	C RESISTOR	6.8KOHM 5% 1/8W GB5	
AR128	2001-000734	C RESISTOR	4.7KOHM 5% 1/8W GB6	
AR129	2001-000281	C RESISTOR	100OHM 5% 1/8W	
AR130	2001-000281	C RESISTOR	100OHM 5% 1/8W	
AR131	2001-000281	C RESISTOR	100OHM 5% 1/8W	
AR132	2001-000508	C RESISTOR	220KOHM 5% 1/8W	
AR133	2001-000449	C RESISTOR	2.2KOHM 5% 1/8W	
AR134	2001-001000	C RESISTOR	82KOHM 5% 1/8W	
AR135	2001-000273	C RESISTOR	100KOHM 5% 1/8W	
AR136	2001-000273	C RESISTOR	100KOHM 5% 1/8W	
AR137	2001-000786	C RESISTOR	47KOHM 5% 1/8W	
AR138	2001-000786	C RESISTOR	47KOHM 5% 1/8W	
AR139	2001-000554	C RESISTOR	270OHM 5% 1/8W	
AR140	2001-000802	C RESISTOR	5.6KOHM 5% 1/8W	
BC01L	2301-000361	M CAPACITOR	1.2nF	
BC01R	2301-000361	M CAPACITOR	1.2nF	
BD101	1N4148	GE DIODE	0401-000101	
BL01L	AH26-10002W	TRANS TRAP-COIL	BIAS-TRAP105K	
BL01R	AH26-10002W	TRANS TRAP-COIL	BIAS-TRAP105K	
BQ02L	KSC1008	TRANSISTOR	0501-000010	
BQ02R	KSC1008	TRANSISTOR	0501-000010	
BQ03L	KSC1008	TRANSISTOR	0501-000010	
BQ03R	KSC1008	TRANSISTOR	0501-000010	
BQ101	KSR2003	DIGI TRANSISTOR	0504-001003	
BR01L	2001-000281	C RESISTOR	100OHM 5% 1/8W	
BR01R	2001-000281	C RESISTOR	100OHM 5% 1/8W	
BR02L	2001-000890	C RESISTOR	6.8KOHM 5% 1/8W	
BR02R	2001-000890	C RESISTOR	6.8KOHM 5% 1/8W	
BR03L	2001-000890	C RESISTOR	6.8KOHM 5% 1/8W	
BR03R	2001-000890	C RESISTOR	6.8KOHM 5% 1/8W	
BR101	2001-000522	C RESISTOR	22KOHM 5% 1/8W	
CE101	2401-000240	E CAPACITOR	100uF 20% 10V	
CE102	2401-001895	E CAPACITOR	100uF 20% 16V	
CE103	2401-000438	E CAPACITOR	10uF 20% 25V	
CQ01L	KSR1009Y	DIGI TRANSISTOR	0504-000122	
CQ01R	KSR1009Y	DIGI TRANSISTOR	0504-000122	
CQ101	KSR2003	DIGI TRANSISTOR	0504-001003	
CR01L	2001-000864	C RESISTOR	56KOHM 5% 1/8W	
CR01R	2001-000864	C RESISTOR	56KOHM 5% 1/8W	
CR02L	2001-000411	C RESISTOR	18KOHM 5% 1/8W	
CR02R	2001-000411	C RESISTOR	18KOHM 5% 1/8W	
CW01A	3711-001062	CONNECTOR	BOX 6P	
CW101	3708-001577	CONNECTOR	30P	
CW102	3708-000412	CONNECTOR	12P	
CW104	3711-001137	CONNECTOR	BOX 8P	
CW105	3708-001167	CONNECTOR	14P	
CW106	AH39-00295A	W/HARNESS UNIT	9P	
CW107	AH39-00338A	LEAD CONNECTOR		
CW108	3711-003107	CONNECTOR	BOX 3P	
CW109	3711-003111	CONNECTOR	BOX 6P	
CW110	3711-003409	CONNECTOR	BOX 3P	
CW112	3711-003409	CONNECTOR	BOX 3P	
EC07L	2301-000454	M CAPACITOR	5.6nF	
EC07R	2301-000454	M CAPACITOR	5.6nF	
EC08L	2301-000216	M CAPACITOR	220nF	
EC08R	2301-000216	M CAPACITOR	220nF	
EC09L	2301-000216	M CAPACITOR	220nF	
EC09R	2301-000216	M CAPACITOR	220nF	
EC101	2301-000361	M CAPACITOR	1.2nF	
EC102	2301-000375	M CAPACITOR	100nF	
EC103	2201-000783	C CAPACITOR	100nF	
EC11L	2201-000368	C CAPACITOR	0.22nF	
EC11R	2201-000368	C CAPACITOR	0.22nF	

△ Symbol No.	Part No.	Part Name	Description	Local	△ Symbol No.	Part No.	Part Name	Description	Local
ED102	1N4148	GE DIODE	0401-000101		HE01R	2401-001912	E CAPACITOR	1uF 20% 50V	
EE01L	2401-001912	E CAPACITOR	1uF 20% 50V		HE02L	2401-001164	E CAPACITOR	33uF 20% 16V	
EE01R	2401-001912	E CAPACITOR	1uF 20% 50V		HE02R	2401-001164	E CAPACITOR	33uF 20% 16V	
EE02L	2401-001912	E CAPACITOR	1uF 20% 50V		HE101	2401-000830	E CAPACITOR	220uF 20% 25V	
EE02R	2401-001912	E CAPACITOR	1uF 20% 50V		HE102	2401-000830	E CAPACITOR	220uF 20% 25V	
EE03L	2401-001912	E CAPACITOR	1uF 20% 50V		HE103	2401-001975	E CAPACITOR	47uF 20% 16V	
EE03R	2401-001912	E CAPACITOR	1uF 20% 50V		HQ06L	KTC2874-B	TRANSISTOR	0501-002436	
EE04L	2401-001912	E CAPACITOR	1uF 20% 50V		HQ06R	KTC2874-B	TRANSISTOR	0501-002436	
EE04R	2401-001912	E CAPACITOR	1uF 20% 50V		HR01L	2001-000449	C RESISTOR	2.2KOHM 5% 1/8W	
EE05L	2401-001912	E CAPACITOR	1uF 20% 50V		HR01R	2001-000449	C RESISTOR	2.2KOHM 5% 1/8W	
EE05R	2401-001912	E CAPACITOR	1uF 20% 50V		HR02L	2001-000449	C RESISTOR	2.2KOHM 5% 1/8W	
EE06L	2401-002180	E CAPACITOR	2.2uF 20% 50V		HR02R	2001-000449	C RESISTOR	2.2KOHM 5% 1/8W	
EE06R	2401-002180	E CAPACITOR	2.2uF 20% 50V		HR03L	2001-000734	C RESISTOR	4.7KOHM 5% 1/8W	
EE07L	2401-001912	E CAPACITOR	1uF 20% 50V		HR03R	2001-000734	C RESISTOR	4.7KOHM 5% 1/8W	
EE07R	2401-001912	E CAPACITOR	1uF 20% 50V		HR04L	2001-000290	C RESISTOR	10KOHM 5% 1/8W	
EE08L	2401-001912	E CAPACITOR	1uF 20% 50V		HR04R	2001-000290	C RESISTOR	10KOHM 5% 1/8W	
EE08R	2401-001912	E CAPACITOR	1uF 20% 50V		HR05L	2001-000019	C RESISTOR	100HM 5% 1/2W	
EE101	2401-000438	E CAPACITOR	10uF 20% 25V		HR05R	2001-000019	C RESISTOR	100HM 5% 1/2W	
EE102	2401-001975	E CAPACITOR	47uF 20% 16V		HR06L	2001-000591	C RESISTOR	3.3KOHM 5% 1/8W	
EE103	2401-000830	E CAPACITOR	220uF 20% 25V		HR06R	2001-000591	C RESISTOR	3.3KOHM 5% 1/8W	
EE107	2401-001954	E CAPACITOR	4.7uF 20% 50V		HR101	2001-000028	C RESISTOR	100OHM 5% 1/2W	
EE108	2401-001954	E CAPACITOR	4.7uF 20% 50V		HR102	2001-000028	C RESISTOR	100OHM 5% 1/2W	
EE109	2401-000759	E CAPACITOR	220nF 20% 50V		HR104	2001-000290	C RESISTOR	10KOHM 5% 1/8W	
EMC01	2201-000674	C CAPACITOR	0.82nF		JC00L	2201-000368	C CAPACITOR	0.22nF	
EQ101	KSC945	TRANSISTOR	0501-000398		JC00R	2201-000368	C CAPACITOR	0.22nF	
ER01L	2001-000786	C RESISTOR	47KOHM 5% 1/8W		JC01L	2301-000365	M CAPACITOR	1.5nF	
ER01R	2001-000786	C RESISTOR	47KOHM 5% 1/8W		JC01R	2301-000365	M CAPACITOR	1.5nF	
ER02L	2001-000591	C RESISTOR	3.3KOHM 5% 1/8W		JC02L	2301-000379	M CAPACITOR	10nF	
ER02R	2001-000591	C RESISTOR	3.3KOHM 5% 1/8W		JC02R	2301-000379	M CAPACITOR	10nF	
ER05L	2001-000515	C RESISTOR	220OHM 5% 1/8W		JC03L	2301-000375	M CAPACITOR	100nF	
ER05R	2001-000515	C RESISTOR	220OHM 5% 1/8W		JC03R	2301-000375	M CAPACITOR	100nF	
ER06L	2001-000786	C RESISTOR	47KOHM 5% 1/8W		JC04L	2301-000375	M CAPACITOR	100nF	
ER06R	2001-000786	C RESISTOR	47KOHM 5% 1/8W		JC04R	2301-000375	M CAPACITOR	100nF	
ER07L	2001-000734	C RESISTOR	4.7KOHM 5% 1/8W GB5		JC05L	2301-000393	M CAPACITOR	18nF	
ER07L	2001-000522	C RESISTOR	22KOHM 5% 1/8W GB6		JC05R	2301-000393	M CAPACITOR	18nF	
ER07R	2001-000734	C RESISTOR	4.7KOHM 5% 1/8W GB5		JC06L	2201-000674	C CAPACITOR	0.82nF	
ER07R	2001-000522	C RESISTOR	22KOHM 5% 1/8W GB6		JC06R	2201-000674	C CAPACITOR	0.82nF	
ER08L	2001-000786	C RESISTOR	47KOHM 5% 1/8W		JC101	2201-000557	C CAPACITOR	0.47nF	
ER08R	2001-000786	C RESISTOR	47KOHM 5% 1/8W		JC102	2301-000400	M CAPACITOR	1nF	
ER09L	2001-000591	C RESISTOR	3.3KOHM 5% 1/8W GB5		JC103	2301-000404	M CAPACITOR	2.2nF	
ER09L	2001-000890	C RESISTOR	6.8KOHM 5% 1/8W GB6		JC104	2301-000404	M CAPACITOR	2.2nF	
ER09R	2001-000591	C RESISTOR	3.3KOHM 5% 1/8W GB5		JC105	2201-000146	C CAPACITOR	0.1nF	
ER09R	2001-000890	C RESISTOR	6.8KOHM 5% 1/8W GB6		JC106	2201-000146	C CAPACITOR	0.1nF	
ER101	2001-000515	C RESISTOR	220OHM 5% 1/8W		JC107	2201-000146	C CAPACITOR	0.1nF	
ER102	2001-000515	C RESISTOR	220OHM 5% 1/8W		JC108	2201-000146	C CAPACITOR	0.1nF	
ER103	2001-000023	C RESISTOR	47OHM 5% 1/4W		JD101	1N4148	GE DIODE	0401-000101	
ER104	2001-000022	C RESISTOR	33OHM 5% 1/2W		JE01L	2401-002180	E CAPACITOR	2.2uF 20% 50V	
ER109	2001-000290	C RESISTOR	10KOHM 5% 1/8W		JE01R	2401-002180	E CAPACITOR	2.2uF 20% 50V	
ER10L	2001-000273	C RESISTOR	100KOHM 5% 1/8W		JE02L	2401-002180	E CAPACITOR	2.2uF 20% 50V	
ER10R	2001-000273	C RESISTOR	100KOHM 5% 1/8W		JE02R	2401-002180	E CAPACITOR	2.2uF 20% 50V	
ER110	2001-000773	C RESISTOR	470KOHM 5% 1/8W		JE103	2401-001912	E CAPACITOR	1uF 20% 50V	
ER111	2001-000515	C RESISTOR	220OHM 5% 1/8W		JE104	2401-000475	E CAPACITOR	10uF 20% 50V	
ER112	2001-000645	C RESISTOR	330KOHM 5% 1/8W		JE105	2401-000438	E CAPACITOR	10uF 20% 25V	
ER113	2001-000989	C RESISTOR	820KOHM 5% 1/8W		JL101	2701-000298	INDUCTOR-AXIAL	470uH 10% 4298	
ER13L	2001-000356	CARBON RESISTOR	150KOHM 5% 1/8W		JL102	AH26-00227A	TRANS RF	105KHZ 7.6 X 7.6	
ER13R	2001-000356	CARBON RESISTOR	150KOHM 5% 1/8W		JQ01L	KTC8050	TRANSISTOR	0501-002375	
ER14L	2001-000008	C RESISTOR	15KOHM 5% 1/8W		JQ01R	KTC8050	TRANSISTOR	0501-002375	
ER14R	2001-000008	C RESISTOR	15KOHM 5% 1/8W		JQ101	KSC2331-Y	TRANSISTOR	0501-000369	
ER15L	2001-000290	C RESISTOR	10KOHM 5% 1/8W		JQ102	KSA928A-Y	TRANSISTOR	0501-000610	
ER15R	2001-000290	C RESISTOR	10KOHM 5% 1/8W		JQ103	KSC945	TRANSISTOR	0501-000398	
ER17L	2001-000003	C RESISTOR	330OHM 5% 1/8W		JQ104	KSR2003	DIGI TRANSISTOR	0504-001003	
ER17R	2001-000003	C RESISTOR	330OHM 5% 1/8W		JR01A	2001-000023	C RESISTOR	47OHM 5% 1/4W	
EZD01	UZ9.1BM	Z DIODE	0403-000372		JR01L	2001-000977	C RESISTOR	8.2KOHM 5% 1/8W	
FCW01	AH39-00085A	LEAD CONNECTOR			JR01R	2001-000977	C RESISTOR	8.2KOHM 5% 1/8W	
FL101	2701-000298	INDUCTOR-AXIAL	470uH 10% 4298		JR02L	2001-000241	C RESISTOR	1.5KOHM 5% 1/8W	
HC01L	2201-000642	C CAPACITOR	0.68nF		JR02R	2001-000241	C RESISTOR	1.5KOHM 5% 1/8W	
HC01R	2201-000642	C CAPACITOR	0.68nF		JR03L	2001-000449	C RESISTOR	2.2KOHM 5% 1/8W	
HC02L	2201-000146	C CAPACITOR	0.1nF		JR03R	2001-000449	C RESISTOR	2.2KOHM 5% 1/8W	
HC02R	2201-000146	C CAPACITOR	0.1nF		JR04L	2001-000734	C RESISTOR	4.7KOHM 5% 1/8W	
HC03L	2201-000368	C CAPACITOR	0.22nF		JR04R	2001-000734	C RESISTOR	4.7KOHM 5% 1/8W	
HC03R	2201-000368	C CAPACITOR	0.22nF		JR05L	2001-000522	C RESISTOR	22KOHM 5% 1/8W	
HE01L	2401-001912	E CAPACITOR	1uF 20% 50V		JR05R	2001-000522	C RESISTOR	22KOHM 5% 1/8W	
					JR06L	2001-000449	C RESISTOR	2.2KOHM 5% 1/8W	
					JR06R	2001-000449	C RESISTOR	2.2KOHM 5% 1/8W	
					JR07L	2001-000302	C RESISTOR	100HM 5% 1/8W	
					JR07R	2001-000302	C RESISTOR	100HM 5% 1/8W	
					JR08L	2001-000008	C RESISTOR	15KOHM 5% 1/8W	
					JR08R	2001-000008	C RESISTOR	15KOHM 5% 1/8W	

△ Symbol No.	Part No.	Part Name	Description	Local	△ Symbol No.	Part No.	Part Name	Description	Local
JR101	2001-000290	C RESISTOR	10KOHM 5% 1/8W		PR223	2001-000780	C RESISTOR	470OHM 5% 1/8W	
JR102	2001-000456	C RESISTOR	2.2OHM 5% 1/4W		PZ101	UZ5.1B	Z DIODE	0403-000354	
JR103	2001-000023	C RESISTOR	47OHM 5% 1/4W		PZ102	UZP18B	Z DIODE	0403-000570	
JR104	2001-000786	C RESISTOR	47KOHM 5% 1/8W		PZ103	UZP18B	Z DIODE	0403-000570	
JR105	2001-000591	C RESISTOR	3.3KOHM 5% 1/8W		PZ104	UZP5.1B	Z DIODE	0403-000393	
JR106	2001-000734	C RESISTOR	4.7KOHM 5% 1/8W		PZ105	UZP13B	Z DIODE	0403-000380	
JR107	2001-000429	C RESISTOR	1KOHM 5% 1/8W		PZ106	UZ5.6BM	Z DIODE	0403-000357	
JR108	2001-000290	C RESISTOR	10KOHM 5% 1/8W		PZD01	UZ5.1B	Z DIODE	0403-000354	GB6
JR109	2001-000591	C RESISTOR	3.3KOHM 5% 1/8W		SC01	2301-000419	M CAPACITOR	27nF	
JR110	2001-000281	C RESISTOR	100OHM 5% 1/8W		SE04	2401-002180	E CAPACITOR	2.2uF 20% 50V	
JR112	2001-000435	C RESISTOR	1MOHM 5% 1/8W		SE05	2401-000438	E CAPACITOR	10uF 20% 25V	
JR113	2001-000522	C RESISTOR	22KOHM 5% 1/8W		SE08	2401-000438	E CAPACITOR	10uF 20% 25V	
JVR01	2001-000010	C RESISTOR	68KOHM 5% 1/8W		SE09	2401-001954	E CAPACITOR	4.7uF 20% 50V	
JVR02	2001-000010	C RESISTOR	68KOHM 5% 1/8W		SE10	2401-000438	E CAPACITOR	10uF 20% 25V	
△ PBD01	GBU606	DIODE	0402-001258		SE11	2401-000438	E CAPACITOR	10uF 20% 25V	
△ PBD02	GBU606	DIODE	0402-001258		SE12	2401-000438	E CAPACITOR	10uF 20% 25V	
PD102	1N4002	DIODE	0402-000127	GB5	SE13	2401-001954	E CAPACITOR	4.7uF 20% 50V	
PD201	1N4002	DIODE	0402-000127		SE14	2401-000759	E CAPACITOR	220nF 20% 50V	
PD202	1N4002	DIODE	0402-000127		SE15	2401-002180	E CAPACITOR	2.2uF 20% 50V	
PD203	1N4002	DIODE	0402-000127		SE16	2401-001645	E CAPACITOR	0.68uF 20% 50V	
PD204	1N4002	DIODE	0402-000127		SE18	2401-001538	E CAPACITOR	47uF 20% 25V	
PD205	1N4148	GE DIODE	0401-000101		SE01L	2401-001954	E CAPACITOR	4.7uF 20% 50V	
PD206	1N4148	GE DIODE	0401-000101		SE01R	2401-001954	E CAPACITOR	4.7uF 20% 50V	
PD209	1N4002	DIODE	0402-000127		SE02L	2401-001538	E CAPACITOR	47uF 20% 25V	
PD210	1N4002	DIODE	0402-000127		SE02R	2401-001538	E CAPACITOR	47uF 20% 25V	
△ PD211	1N5392	DIODE	0402-000151		SE03L	2401-000438	E CAPACITOR	10uF 20% 25V	
△ PD212	1N5392	DIODE	0402-000151		SE03R	2401-000438	E CAPACITOR	10uF 20% 25V	
△ PD213	1N5392	DIODE	0402-000151		SE07L	2401-000438	E CAPACITOR	10uF 20% 25V	
△ PD214	1N5392	DIODE	0402-000151		SE07R	2401-000438	E CAPACITOR	10uF 20% 25V	
△ PE201	2401-003887	E CAPACITOR	2200uF 20% 42V	GB5	SE09L	2401-001938	E CAPACITOR	22uF 20% 25V	
△ PE202	2401-002592	E CAPACITOR	2200uF 20% 50V	GB6	SE09R	2401-001938	E CAPACITOR	22uF 20% 25V	
△ PE202	2401-003887	E CAPACITOR	2200uF 20% 42V	GB5	SER03	2001-000281	C RESISTOR	100OHM 5% 1/8W	
△ PE202	2401-002592	E CAPACITOR	2200uF 20% 50V	GB6	SQ01	KTC2874-B	TRANSISTOR	0501-002436	
△ PE203	2401-003385	E CAPACITOR	3300uF 20% 80V		SQ02	KRA104M	DIGI TRANSISTOR	0504-001175	
PE204	2401-003385	E CAPACITOR	3300uF 20% 80V		SR01	2001-000773	C RESISTOR	470KOHM 5% 1/8W	
△ PE205	2401-003116	E CAPACITOR	4700uF 20% 35V		SR02	2001-000773	C RESISTOR	470KOHM 5% 1/8W	
PE206	2401-000830	E CAPACITOR	220uF 20% 25V		SR04	2001-000008	C RESISTOR	15KOHM 5% 1/8W	
PE207	2401-000907	E CAPACITOR	22uF 20% 16V		SR05	2001-000802	C RESISTOR	5.6KOHM 5% 1/8W	
PE208	2401-000438	E CAPACITOR	10uF 20% 25V		SR06	2001-000719	C RESISTOR	4.3KOHM 1% 1/8W	
PE209	2401-001912	E CAPACITOR	1uF 20% 50V		SR07	2001-000273	C RESISTOR	100KOHM 5% 1/8W	
PE210	2401-001912	E CAPACITOR	1uF 20% 50V	GB5	SR08	2001-000290	C RESISTOR	10KOHM 5% 1/8W	
PE210	2401-000475	E CAPACITOR	10uF 20% 50V	GB6	SR12	2001-000591	C RESISTOR	3.3KOHM 5% 1/8W	
PE211	2401-001954	E CAPACITOR	4.7uF 20% 50V		SR13	2001-000023	C RESISTOR	47OHM 5% 1/4W	
PE212	2401-000230	E CAPACITOR	100uF 20% 100V		SR18	2001-000281	C RESISTOR	100OHM 5% 1/8W	GB6
PE213	2401-001954	E CAPACITOR	4.7uF 20% 50V		SR19	2001-000281	C RESISTOR	100OHM 5% 1/8W	
PE214	2401-000438	E CAPACITOR	10uF 20% 25V		SR20	2001-000244	CARBON RESISTOR	1.5MOHM 5% 1/8W	
PE215	2401-000778	E CAPACITOR	220uF 20% 10V		SR21	2001-000290	C RESISTOR	10KOHM 5% 1/8W	
△ PF101	2008-000135	FUSI.RESISTOR	1OHM 5% 1/2W		SR34	2001-000734	C RESISTOR	4.7KOHM 5% 1/8W	
PQ102	KSR2002	DIGI TRANSISTOR	0504-000144		SR10L	2001-000331	C RESISTOR	12KOHM 5% 1/8W	
PQ103	KTC2874-B	TRANSISTOR	0501-002436		SR10R	2001-000331	C RESISTOR	12KOHM 5% 1/8W	
PQ104	KSC1009-Y	TRANSISTOR	0501-000331		SR11L	2001-000449	C RESISTOR	2.2KOHM 5% 1/8W	
PQ105	KSA928A-Y	TRANSISTOR	0501-000610		SR11R	2001-000449	C RESISTOR	2.2KOHM 5% 1/8W	
PQ106	KSA708-Y	TRANSISTOR	0501-000294		SR14L	2001-000290	C RESISTOR	10KOHM 5% 1/8W	
PQ107	KSA928A-Y	TRANSISTOR	0501-000610		SR14R	2001-000290	C RESISTOR	10KOHM 5% 1/8W	
PQ108	KTC3199-Y	TRANSISTOR	0501-000014		SR16L	2001-000802	C RESISTOR	5.6KOHM 5% 1/8W	
PQ109	KSD1691	TRANSISTOR	0502-001048		SR16R	2001-000802	C RESISTOR	5.6KOHM 5% 1/8W	
PR201	2001-000591	C RESISTOR	3.3KOHM 5% 1/8W		SZD01	UZ9.1BM	Z DIODE	0403-000372	
PR202	2001-000734	C RESISTOR	4.7KOHM 5% 1/8W		XXXXX	AH41-00674A	PCB MAIN		
PR203	2001-000429	C RESISTOR	1KOHM 5% 1/8W						
PR204	2001-000786	C RESISTOR	47KOHM 5% 1/8W						
PR205	2001-000290	C RESISTOR	10KOHM 5% 1/8W						
PR206	2003-000455	M.RESISTOR	100OHM 5% 2W						
PR207	2001-000563	C RESISTOR	27KOHM 5% 1/8W						
PR208	2001-000734	C RESISTOR	4.7KOHM 5% 1/8W						
PR209	2001-000111	C RESISTOR	150OHM 5% 1/4W						
PR210	2001-000055	C RESISTOR	4.7KOHM 5% 1/4W						
PR211	2001-000038	C RESISTOR	390OHM 5% 1/4W						
PR212	2001-000429	C RESISTOR	1KOHM 5% 1/8W						
PR213	2001-000734	C RESISTOR	4.7KOHM 5% 1/8W						
PR214	2001-000613	C RESISTOR	3.9KOHM 5% 1/8W						
PR215	2001-000890	C RESISTOR	6.8KOHM 5% 1/8W						
PR216	2003-000701	M.RESISTOR	470OHM 5% 2W						
PR217	2001-001153	C RESISTOR	47OHM 5% 1/2W						
PR218	2001-001153	C RESISTOR	47OHM 5% 1/2W						
PR219	2001-000734	C RESISTOR	4.7KOHM 5% 1/8W						
PR21A	2001-000290	C RESISTOR	10KOHM 5% 1/8W						
PR220	2001-000290	C RESISTOR	10KOHM 5% 1/8W						
PR221	2001-000660	C RESISTOR	33KOHM 5% 1/8W						

Front board

Block No. [0][2][0][0]

△ Symbol No.	Part No.	Part Name	Description	Local
UIC2	PT8300	IC	0904-001621	
UIC3	PT8300	IC	0904-001621	
UIC01	LC876780B-53J2	IC	AH11-00135A	
VR201	3406-001047	SWITCH-ROTARY	5V DC 0.5mA - 12mm	

△ Symbol No.	Part No.	Part Name	Description	Local	△ Symbol No.	Part No.	Part Name	Description	Local
AJK01	3722-000351	JACK-PHONE	11P 3.5PI AG BLK -		FR231	2001-000429	C RESISTOR	1KOHM 5% 1/8W	
BUZZ1	3002-001134	BUZZER-PIEZO	85DB 12V		FR232	2001-000221	C RESISTOR	1.2KOHM 5% 1/8W	
CW01B	AH39-00580A	WIRE HARNESS	6P		FR233	2001-000241	C RESISTOR	1.5KOHM 5% 1/8W	
EC10L	2202-000806	C.CAPASITOR	220pF		FR234	2001-000258	C RESISTOR	1.8KOHM 5% 1/8W	
EC10R	2202-000806	C.CAPASITOR	220pF		FR235	2001-000449	C RESISTOR	2.2KOHM 5% 1/8W	
ER03L	2001-000411	C RESISTOR	18KOHM 5% 1/8W		FR236	2001-000591	C RESISTOR	3.3KOHM 5% 1/8W	
ER03R	2001-000411	C RESISTOR	18KOHM 5% 1/8W		FR237	2001-000734	C RESISTOR	4.7KOHM 5% 1/8W	
ER04L	2001-000411	C RESISTOR	18KOHM 5% 1/8W		FR238	2001-000890	C RESISTOR	6.8KOHM 5% 1/8W	
ER04R	2001-000411	C RESISTOR	18KOHM 5% 1/8W		FR240	2001-000290	C RESISTOR	10KOHM 5% 1/8W	
FC201	2202-000797	C CAPACITOR	10nF		FR241	2001-000290	C RESISTOR	10KOHM 5% 1/8W	
FC202	2201-000783	C CAPACITOR	100nF		FR242	2001-000290	C RESISTOR	10KOHM 5% 1/8W	
FC203	2201-000783	C CAPACITOR	100nF		FR243	2001-000786	C RESISTOR	47KOHM 5% 1/8W	
FC204	2202-000854	C CAPACITOR	47nF		FR244	2001-000786	C RESISTOR	47KOHM 5% 1/8W	
FD202	1N4002	DIODE	0402-000127		FR245	2001-000613	C RESISTOR	3.9KOHM 5% 1/8W	
FD203	1N4002	DIODE	0402-000127		FR246	2001-000660	C RESISTOR	33KOHM 5% 1/8W	
FD204	1N4002	DIODE	0402-000127		FR247	2001-000008	C RESISTOR	15KOHM 5% 1/8W	
FD205	1N4002	DIODE	0402-000127		FR248	2001-001178	C RESISTOR	680OHM 5% 1/2W	
FD206	1N4002	DIODE	0402-000127		FR249	2001-001178	C RESISTOR	680OHM 5% 1/2W	
FD207	1N4002	DIODE	0402-000127		FR250	2001-001178	C RESISTOR	680OHM 5% 1/2W	
FE201	2401-000240	E CAPACITOR	100uF 20% 10V		FR251	2001-000290	C RESISTOR	10KOHM 5% 1/8W GB5	
FE202	2401-001364	E CAPACITOR	470uF 20% 16V		FR252	2001-000290	C RESISTOR	10KOHM 5% 1/8W	
FE203	2401-000240	E CAPACITOR	100uF 20% 10V		FR253	2001-000472	C RESISTOR	2.7KOHM 5% 1/8W	
FR101	2001-000734	C RESISTOR	4.7KOHM 5% 1/8W		FR301	2001-000855	C RESISTOR	560OHM 5% 1/4W	
FR102	2001-000734	C RESISTOR	4.7KOHM 5% 1/8W		FR302	2001-000995	C RESISTOR	820OHM 5% 1/8W	
FR103	2001-000734	C RESISTOR	4.7KOHM 5% 1/8W		FR303	2001-000429	C RESISTOR	1KOHM 5% 1/8W	
FR104	2001-000734	C RESISTOR	4.7KOHM 5% 1/8W		FR304	2001-000221	C RESISTOR	1.2KOHM 5% 1/8W	
FR105	2001-000734	C RESISTOR	4.7KOHM 5% 1/8W		FSR01	2103-000341	VR-SEMI	2KOHM 30%	
FR106	2001-000734	C RESISTOR	4.7KOHM 5% 1/8W		HD201	1N4148	GE DIODE	0401-000101	
FR107	2001-000734	C RESISTOR	4.7KOHM 5% 1/8W		HJACK	3722-000351	JACK-PHONE	11P 3.5PI AG BLK -	
FR108	2001-000734	C RESISTOR	4.7KOHM 5% 1/8W		HR201	2001-000429	C RESISTOR	1KOHM 5% 1/8W	
FR109	2001-000734	C RESISTOR	4.7KOHM 5% 1/8W		LD101	0601-001739	LED	RED	
FR110	2001-000734	C RESISTOR	4.7KOHM 5% 1/8W		LD102	0601-001739	LED	RED	
FR111	2001-000734	C RESISTOR	4.7KOHM 5% 1/8W		LD103	0601-001739	LED	RED	
FR112	2001-000734	C RESISTOR	4.7KOHM 5% 1/8W		LD104	0601-001739	LED	RED	
FR113	2001-000734	C RESISTOR	4.7KOHM 5% 1/8W		LD105	0601-001739	LED	RED	
FR114	2001-000734	C RESISTOR	4.7KOHM 5% 1/8W		LD106	0601-001739	LED	RED	
FR115	2001-000734	C RESISTOR	4.7KOHM 5% 1/8W		LD201	0601-001739	LED	RED	
FR116	2001-000734	C RESISTOR	4.7KOHM 5% 1/8W		LD202	0601-001739	LED	RED	
FR117	2001-000734	C RESISTOR	4.7KOHM 5% 1/8W		LD203	0601-001739	LED	RED	
FR118	2001-000786	C RESISTOR	47KOHM 5% 1/8W		LD204	0601-001739	LED	RED	
FR119	2001-000786	C RESISTOR	47KOHM 5% 1/8W		LD205	0601-001739	LED	RED	
FR120	2001-000786	C RESISTOR	47KOHM 5% 1/8W		LD301	0601-001739	LED	RED	
FR121	2001-000786	C RESISTOR	47KOHM 5% 1/8W		REMYE	0609-001187	MODULE REMOCOIN		
FR122	2001-000786	C RESISTOR	47KOHM 5% 1/8W		SR15L	2001-000008	C RESISTOR	15KOHM 5% 1/8W GB6	
FR123	2001-000786	C RESISTOR	47KOHM 5% 1/8W		SR15R	2001-000008	C RESISTOR	15KOHM 5% 1/8W GB6	
FR124	2001-000786	C RESISTOR	47KOHM 5% 1/8W		SR17L	2001-000786	C RESISTOR	47KOHM 5% 1/8W GB6	
FR125	2001-000786	C RESISTOR	47KOHM 5% 1/8W		SR17R	2001-000786	C RESISTOR	47KOHM 5% 1/8W GB6	
FR126	2001-000786	C RESISTOR	47KOHM 5% 1/8W		SW210	3404-000165	SWITCH-TACT	12V 50mA	
FR127	2001-000786	C RESISTOR	47KOHM 5% 1/8W		SW211	3404-000165	SWITCH-TACT	12V 50mA	
FR128	2001-000786	C RESISTOR	47KOHM 5% 1/8W		SW212	3404-000165	SWITCH-TACT	12V 50mA	
FR129	2001-000786	C RESISTOR	47KOHM 5% 1/8W		SW213	3404-000165	SWITCH-TACT	12V 50mA	
FR130	2001-000786	C RESISTOR	47KOHM 5% 1/8W		SW214	3404-000165	SWITCH-TACT	12V 50mA	
FR131	2001-000786	C RESISTOR	47KOHM 5% 1/8W		SW220	3404-000165	SWITCH-TACT	12V 50mA	
FR132	2001-000786	C RESISTOR	47KOHM 5% 1/8W		SW221	3404-000165	SWITCH-TACT	12V 50mA	
FR133	2001-000786	C RESISTOR	47KOHM 5% 1/8W		SW222	3404-000165	SWITCH-TACT	12V 50mA	
FR134	2001-000786	C RESISTOR	47KOHM 5% 1/8W		SW223	3404-000165	SWITCH-TACT	12V 50mA	
FR135	2001-000786	C RESISTOR	47KOHM 5% 1/8W		SW224	3404-000165	SWITCH-TACT	12V 50mA	
FR136	2001-000786	C RESISTOR	47KOHM 5% 1/8W		SW225	3404-000165	SWITCH-TACT	12V 50mA	
FR201	2001-000034	C RESISTOR	220OHM 5% 1/4W		SW226	3404-000165	SWITCH-TACT	12V 50mA	
FR202	2001-000034	C RESISTOR	220OHM 5% 1/4W		SW227	3404-000165	SWITCH-TACT	12V 50mA	
FR203	2001-000034	C RESISTOR	220OHM 5% 1/4W		SW228	3404-000165	SWITCH-TACT	12V 50mA	
FR204	2001-000034	C RESISTOR	220OHM 5% 1/4W		SW229	3404-000165	SWITCH-TACT	12V 50mA	
FR205	2001-000034	C RESISTOR	220OHM 5% 1/4W		SW230	3404-000165	SWITCH-TACT	12V 50mA	
FR211	2001-000995	C RESISTOR	820OHM 5% 1/8W		SW231	3404-000165	SWITCH-TACT	12V 50mA	
FR212	2001-000429	C RESISTOR	1KOHM 5% 1/8W		SW232	3404-000165	SWITCH-TACT	12V 50mA	
FR213	2001-000221	C RESISTOR	1.2KOHM 5% 1/8W		SW233	3404-000165	SWITCH-TACT	12V 50mA	
FR214	2001-000241	C RESISTOR	1.5KOHM 5% 1/8W		SW234	3404-000165	SWITCH-TACT	12V 50mA	
FR220	2001-000995	C RESISTOR	820OHM 5% 1/8W		SW235	3404-000165	SWITCH-TACT	12V 50mA	
FR221	2001-000429	C RESISTOR	1KOHM 5% 1/8W		SW236	3404-000165	SWITCH-TACT	12V 50mA	
FR222	2001-000221	C RESISTOR	1.2KOHM 5% 1/8W		SW237	3404-000165	SWITCH-TACT	12V 50mA	
FR223	2001-000241	C RESISTOR	1.5KOHM 5% 1/8W		SW238	3404-000165	SWITCH-TACT	12V 50mA	
FR224	2001-000258	C RESISTOR	1.8KOHM 5% 1/8W		SW239	3404-000165	SWITCH-TACT	12V 50mA	
FR225	2001-000449	C RESISTOR	2.2KOHM 5% 1/8W		SW240	3404-000165	SWITCH-TACT	12V 50mA	
FR226	2001-000591	C RESISTOR	3.3KOHM 5% 1/8W		SW301	3404-000165	SWITCH-TACT	12V 50mA	
FR227	2001-000734	C RESISTOR	4.7KOHM 5% 1/8W		SW303	3404-000165	SWITCH-TACT	12V 50mA	
FR228	2001-000890	C RESISTOR	6.8KOHM 5% 1/8W		SW304	3404-000165	SWITCH-TACT	12V 50mA	
FR229	2001-000290	C RESISTOR	10KOHM 5% 1/8W		UC101	2202-000797	C CAPACITOR	10nF	
FR230	2001-000995	C RESISTOR	820OHM 5% 1/8W		UC102	2202-000854	C CAPACITOR	47nF	

△ Symbol No.	Part No.	Part Name	Description	Local
UC103	2201-000389	C CAPACITOR	0.022nF	
UC104	2201-000389	C CAPACITOR	0.022nF	
UC105	2201-000565	C CAPACITOR	47nF	
UC106	2201-000565	C CAPACITOR	47nF	
UC107	2202-000796	C CAPACITOR	1nF	
UC108	2202-000231	C CAPACITOR	0.33nF	
UC109	2202-000780	C CAPACITOR	100nF	
UCW7	3708-000193	CONNECTOR	17P	
UCW01	3708-001577	CONNECTOR	30P	
UCW02	AH39-00003B	LEAD CONNECTOR		
UCW03	AH39-00551A	WIRE HARNESS	4P	
UCW04	3708-000454	CONNECTOR	22P	
UCW05	3711-000967	CONNECTOR	BOX 4P	
UCW06	3708-000181	CONNECTOR	16P	
UCW7A	3708-001723	CONNECTOR	17P	
UD03	1N4148	GE DIODE	0401-000101	
UD101	1N4148	GE DIODE	0401-000101	
UD102	1N4148	GE DIODE	0401-000101	
UD103	1N4002	DIODE	0402-000127	
UD104	1N4002	DIODE	0402-000127	
UD105	1N4002	DIODE	0402-000127	
UD106	1N4002	DIODE	0402-000127	
UD107	1N4002	DIODE	0402-000127	
UE101	2401-002180	E CAPACITOR	2.2uF 20% 50V	
UE102	2401-000759	E CAPACITOR	220nF 20% 50V	
UE103	2401-001355	E CAPACITOR	470uF 20% 10V	
UE104	2401-000240	E CAPACITOR	100uF 20% 10V	
UE105	2401-000475	E CAPACITOR	10uF 20% 50V	
UE106	2401-000475	E CAPACITOR	10uF 20% 50V	
UE107	2401-000240	E CAPACITOR	100uF 20% 10V	
UQ101	KSC945	TRANSISTOR	0501-000398	
UQ102	KSR1003	DIGI TRANSISTOR	0504-000118	
UQ103	KSR1003	DIGI TRANSISTOR	0504-000118	
UQ104	KSR1003	DIGI TRANSISTOR	0504-000118	
UQ107	KSA928A-Y	TRANSISTOR	0501-000610	
UQ108	KSA928A-Y	TRANSISTOR	0501-000610	
UQ109	KSA928A-Y	TRANSISTOR	0501-000610	
URO2A	2001-000666	C RESISTOR	330HM 5% 1/8W	
UR101	2001-000449	C RESISTOR	2.2KOHM 5% 1/8W	
UR102	2001-000734	C RESISTOR	4.7KOHM 5% 1/8W	
UR103	2001-000508	C RESISTOR	220KOHM 5% 1/8W	
UR104	2001-000793	C RESISTOR	47OHM 5% 1/8W	
UR105	2001-000295	C RESISTOR	10MOHM 5% 1/8W	
UR106	2001-000850	C RESISTOR	560KOHM 5% 1/8W	
UR107	2001-000435	C RESISTOR	1MOHM 5% 1/8W	
UR108	2001-000290	C RESISTOR	10KOHM 5% 1/8W	
UR109	2001-000290	C RESISTOR	10KOHM 5% 1/8W	
UR110	2001-000290	C RESISTOR	10KOHM 5% 1/8W	
UR111	2001-000290	C RESISTOR	10KOHM 5% 1/8W	
UR112	2001-000290	C RESISTOR	10KOHM 5% 1/8W	
UR113	2001-000429	C RESISTOR	1KOHM 5% 1/8W	
UR115	2001-000429	C RESISTOR	1KOHM 5% 1/8W	
UR116	2001-000429	C RESISTOR	1KOHM 5% 1/8W	
UR117	2001-000281	C RESISTOR	100OHM 5% 1/8W	
UR118	2001-000429	C RESISTOR	1KOHM 5% 1/8W	
UR119	2001-000429	C RESISTOR	1KOHM 5% 1/8W	
UR120	2001-000734	C RESISTOR	4.7KOHM 5% 1/8W	
UR121	2001-000290	C RESISTOR	10KOHM 5% 1/8W	
UR122	2001-000281	C RESISTOR	100OHM 5% 1/8W	
UR123	2001-000281	C RESISTOR	100OHM 5% 1/8W	
UR124	2001-000281	C RESISTOR	100OHM 5% 1/8W	
UR125	2001-000281	C RESISTOR	100OHM 5% 1/8W	
UR126	2001-000281	C RESISTOR	100OHM 5% 1/8W	
UR127	2001-000281	C RESISTOR	100OHM 5% 1/8W	
UR128	2001-000281	C RESISTOR	100OHM 5% 1/8W	
UR129	2001-000281	C RESISTOR	100OHM 5% 1/8W	
UR130	2001-000290	C RESISTOR	10KOHM 5% 1/8W	
UR131	2001-000290	C RESISTOR	10KOHM 5% 1/8W	
UR132	2001-000290	C RESISTOR	10KOHM 5% 1/8W	
UR133	2001-000290	C RESISTOR	10KOHM 5% 1/8W	
UR134	2001-000290	C RESISTOR	10KOHM 5% 1/8W	
UR135	2001-000290	C RESISTOR	10KOHM 5% 1/8W	
UR136	2001-000290	C RESISTOR	10KOHM 5% 1/8W	
UR137	2001-000786	C RESISTOR	47KOHM 5% 1/8W	
UR138	2001-000281	C RESISTOR	100OHM 5% 1/8W	
UR139	2001-000281	C RESISTOR	100OHM 5% 1/8W	

△ Symbol No.	Part No.	Part Name	Description	Local
UR140	2001-000290	C RESISTOR	10KOHM 5% 1/8W	
UR141	2001-000281	C RESISTOR	100OHM 5% 1/8W	
UR142	2001-000281	C RESISTOR	100OHM 5% 1/8W	
UR143	2001-000034	C RESISTOR	220OHM 5% 1/4W	
UR144	2001-000034	C RESISTOR	220OHM 5% 1/4W	
UR145	2001-000034	C RESISTOR	220OHM 5% 1/4W	
UR146	2001-000034	C RESISTOR	220OHM 5% 1/4W	
UR147	2001-000034	C RESISTOR	220OHM 5% 1/4W	
UR148	2001-000034	C RESISTOR	220OHM 5% 1/4W	
UX101	2801-001394	CRYSTAL-UNIT	32.768KHz	
UX102	2802-001198	C. RESONATOR	10MHZ 0.5%	
XXXXX	2001-000290	C RESISTOR	10KOHM 5% 1/8W	GB6
XXXXX	AH41-00672A	PCB FRONT		

Amp. board

Block No. [0][3][0][0]

△ Symbol No.	Part No.	Part Name	Description	Local
△ FIC01	STK433-070	IC	1201-002090	GB5
△ FIC01	STK403-090	IC	1201-002094	GB6
FIC02	BA4560	IC	1201-000191	
△ WIC01	STK412-230	IC	1201-002086	GB5
△ WIC01	STK412-240	IC	1201-001958	GB6
R52	2001-000110	C RESISTOR	100HM 5% 1/4W	
AC36	2401-000438	E CAPACITOR	10uF 20% 25V	
AC37	2401-001975	E CAPACITOR	47uF 20% 16V	
AC41	2301-000375	M CAPACITOR	100nF	
AC52	2401-001538	E CAPACITOR	47uF 20% 25V	
AC10L	2202-000263	C CAPACITOR	470pF	
AC10R	2202-000263	C CAPACITOR	470pF	
AC11L	2202-000263	C CAPACITOR	470pF	
AC11R	2201-000557	C CAPACITOR	0.47nF	
AC12L	2201-000838	C CAPACITOR	0.003nF	
AC12R	2201-000838	C CAPACITOR	0.003nF	
AC13L	2301-000375	M CAPACITOR	100nF	
AC13R	2301-000375	M CAPACITOR	100nF	
AC20L	2202-000263	C CAPACITOR	470pF	
AC20R	2202-000263	C CAPACITOR	470pF	
AC21L	2201-000146	C CAPACITOR	0.1nF	
AC21R	2201-000146	C CAPACITOR	0.1nF	
AC22L	2201-000838	C CAPACITOR	0.003nF	
AC22R	2201-000838	C CAPACITOR	0.003nF	
AC25L	2301-000375	M CAPACITOR	100nF	
AC25R	2301-000375	M CAPACITOR	100nF	
AC30L	2301-000412	M CAPACITOR	22nF	
AC30R	2301-000412	M CAPACITOR	22nF	
AC33L	2301-000412	M CAPACITOR	22nF	
AC33R	2301-000412	M CAPACITOR	22nF	
AC50L	2301-000412	M CAPACITOR	22nF	
AC50R	2301-000412	M CAPACITOR	22nF	
AC51L	2301-000412	M CAPACITOR	22nF	
AC51R	2301-000412	M CAPACITOR	22nF	
AC603	2201-000783	C CAPACITOR	100nF	
AC604	2201-000783	C CAPACITOR	100nF	
AC607	2201-000532	C CAPACITOR	4.7nF	
AC608	2201-000532	C CAPACITOR	4.7nF	
ACE2	2202-000780	C CAPACITOR	100nF	GB5
ACW1	3708-001167	CONNECTOR	14P	
ACW2	3711-003113	CONNECTOR	BOX 9P	
ACW3	3711-000820	CONNECTOR	BOX 2P	
ACW4	3711-003409	CONNECTOR	BOX 3P	
AD100	1N4148	GE DIODE	0401-000101	
AD101	1N4148	GE DIODE	0401-000101	
AD102	1N4148	GE DIODE	0401-000101	
AD103	1N4148	GE DIODE	0401-000101	
AD104	1N4148	GE DIODE	0401-000101	
AD105	1N4148	GE DIODE	0401-000101	
AD303	1N4002	DIODE	0402-000127	
AD304	1N4002	DIODE	0402-000127	
AE100	2401-000357	E CAPACITOR	100uF 20% 50V	
AE101	2401-001164	E CAPACITOR	33uF 20% 16V	

△ Symbol No.	Part No.	Part Name	Description	Local	△ Symbol No.	Part No.	Part Name	Description	Local
AE102	2401-000357	E CAPACITOR	100uF 20% 50V		AR17R	2003-000689	M.RESISTOR	4.7OHM 5% 1W	
AE103	2401-000357	E CAPACITOR	100uF 20% 50V		AR18L	2001-000864	C RESISTOR	56KOHM 5% 1/8W	
AE10L	2401-002180	E CAPACITOR	2.2uF 20% 50V		AR18R	2001-000864	C RESISTOR	56KOHM 5% 1/8W	
AE10R	2401-002180	E CAPACITOR	2.2uF 20% 50V		AR202	2003-000428	M.RESISTOR	1.5KOHM 5% 1W	
AE11L	2401-000438	E CAPACITOR	10uF 20% 25V		AR203	2003-000428	M.RESISTOR	1.5KOHM 5% 1W	
AE11R	2401-000438	E CAPACITOR	10uF 20% 25V		AR204	2001-000331	C RESISTOR	12KOHM 5% 1/8W	
AE200	2401-000230	E CAPACITOR	100uF 20% 100V		AR20L	2001-000429	C RESISTOR	1KOHM 5% 1/8W	
AE201	2401-000230	E CAPACITOR	100uF 20% 100V		AR20R	2001-000429	C RESISTOR	1KOHM 5% 1/8W	
AE202	2401-000230	E CAPACITOR	100uF 20% 100V		AR211	2003-000008	M.RESISTOR	100OHM 5% 1W	
AE203	2401-000357	E CAPACITOR	100uF 20% 50V		AR212	2003-000008	M.RESISTOR	100OHM 5% 1W	
AE204	2401-000357	E CAPACITOR	100uF 20% 50V		AR21L	2001-000864	C RESISTOR	56KOHM 5% 1/8W	
AE205	2401-000230	E CAPACITOR	100uF 20% 100V		AR21R	2001-000864	C RESISTOR	56KOHM 5% 1/8W	
AE206	2401-001538	E CAPACITOR	47uF 20% 25V		AR22L	2001-000857	C RESISTOR	560OHM 5% 1/8W	
AE20L	2401-002180	E CAPACITOR	2.2uF 20% 50V		AR22R	2001-000857	C RESISTOR	560OHM 5% 1/8W	
AE20R	2401-002180	E CAPACITOR	2.2uF 20% 50V		AR23L	2001-000864	C RESISTOR	56KOHM 5% 1/8W	GB5
AE21L	2401-000438	E CAPACITOR	10uF 20% 25V		AR23L	2001-000010	C RESISTOR	68KOHM 5% 1/8W	GB6
AE21R	2401-000438	E CAPACITOR	10uF 20% 25V		AR23R	2001-000864	C RESISTOR	56KOHM 5% 1/8W	GB5
AE500	2401-001895	E CAPACITOR	100uF 20% 16V		AR23R	2001-000010	C RESISTOR	68KOHM 5% 1/8W	GB6
AE501	2401-001895	E CAPACITOR	100uF 20% 16V		AR26L	2001-000017	C RESISTOR	4.7OHM 5% 1/4W	
AE50L	2401-000459	E CAPACITOR	10uF 20% 35V		AR26R	2001-000017	C RESISTOR	4.7OHM 5% 1/4W	
AE50R	2401-000459	E CAPACITOR	10uF 20% 35V		AR27L	2003-000689	M.RESISTOR	4.7OHM 5% 1W	
AE801	2401-000357	E CAPACITOR	100uF 20% 50V		AR27R	2003-000689	M.RESISTOR	4.7OHM 5% 1W	
AJW9	2001-000331	C RESISTOR	12KOHM 5% 1/8W		AR302	2001-000273	C RESISTOR	100KOHM 5% 1/8W	
AL10L	AH27-90001A	COIL-SPRING	2.2UH		AR303	2001-000515	C RESISTOR	220OHM 5% 1/8W	
AL10R	AH27-90001A	COIL-SPRING	2.2UH		AR307	2003-000708	M.RESISTOR	47OHM 5% 1W	
AL20L	AH27-90001A	COIL-SPRING	2.2UH		AR308	2001-000449	C RESISTOR	2.2KOHM 5% 1/8W	
AL20R	AH27-90001A	COIL-SPRING	2.2UH		AR31L	2001-000449	C RESISTOR	2.2KOHM 5% 1/8W	
AQ03	KTA1268	TRANSISTOR	0501-000630		AR31R	2001-000449	C RESISTOR	2.2KOHM 5% 1/8W	
AQ04	KTC3200	TRANSISTOR	0501-000440		AR32L	2001-000515	C RESISTOR	220OHM 5% 1/8W	
AQ05	KTC3199-Y	TRANSISTOR	0501-000014		AR32R	2001-000515	C RESISTOR	220OHM 5% 1/8W	
AQ06	KTC3199-Y	TRANSISTOR	0501-000014		AR33L	2001-000290	C RESISTOR	10KOHM 5% 1/8W	
AQ01L	KTA1268	TRANSISTOR	0501-000630		AR33R	2001-000290	C RESISTOR	10KOHM 5% 1/8W	
AQ01R	KTA1268	TRANSISTOR	0501-000630		AR37L	2001-000429	C RESISTOR	1KOHM 5% 1/8W	
AQ02L	KTA1268	TRANSISTOR	0501-000630		AR37R	2001-000429	C RESISTOR	1KOHM 5% 1/8W	
AQ02R	KTA1268	TRANSISTOR	0501-000630		AR38L	2001-000429	C RESISTOR	1KOHM 5% 1/8W	
AQ100	KSD471A-Y	TRANSISTOR	0501-000407		AR38R	2001-000429	C RESISTOR	1KOHM 5% 1/8W	
AQ10L	KTC2874-B	TRANSISTOR	0501-002436		AR39L	2001-000290	C RESISTOR	10KOHM 5% 1/8W	
AQ10R	KTC2874-B	TRANSISTOR	0501-002436		AR39R	2001-000290	C RESISTOR	10KOHM 5% 1/8W	
AQ201	KTD863	TRANSISTOR	0501-002176		AR401	2001-000515	C RESISTOR	220OHM 5% 1/8W	
AQ202	KTA1273	TRANSISTOR	0501-000422		AR402	2001-000290	C RESISTOR	10KOHM 5% 1/8W	
AQ301	KTD863	TRANSISTOR	0501-002176		AR40L	2001-000290	C RESISTOR	10KOHM 5% 1/8W	
AQ401	KTD863	TRANSISTOR	0501-002176		AR40R	2001-000290	C RESISTOR	10KOHM 5% 1/8W	
AQ50L	KTC2874-B	TRANSISTOR	0501-002436		AR42L	2001-000273	C RESISTOR	100KOHM 5% 1/8W	
AQ50R	KTC2874-B	TRANSISTOR	0501-002436		AR42R	2001-000273	C RESISTOR	100KOHM 5% 1/8W	
AQ603	KTC2874-B	TRANSISTOR	0501-002436		AR43L	2001-000273	C RESISTOR	100KOHM 5% 1/8W	
AR15	2009-001081	MG.RESISTOR	0.22OHM 5% 7W		AR43R	2001-000273	C RESISTOR	100KOHM 5% 1/8W	
AR16	2003-000008	M.RESISTOR	100OHM 5% 1W		AR500	2001-000027	C RESISTOR	100OHM 5% 1/4W	
AR24	2009-001081	MG.RESISTOR	0.22OHM 5% 7W		AR501	2001-000027	C RESISTOR	100OHM 5% 1/4W	
AR25	2009-001081	MG.RESISTOR	0.22OHM 5% 7W		AR50L	2001-000864	C RESISTOR	56KOHM 5% 1/8W	
AR31	2009-001081	MG.RESISTOR	0.22OHM 5% 7W		AR50R	2001-000864	C RESISTOR	56KOHM 5% 1/8W	
AR44	2001-000290	C RESISTOR	10KOHM 5% 1/8W		AR51L	2001-001000	C RESISTOR	82KOHM 5% 1/8W	
AR45	2001-000273	C RESISTOR	100KOHM 5% 1/8W		AR51R	2001-001000	C RESISTOR	82KOHM 5% 1/8W	
AR46	2001-000273	C RESISTOR	100KOHM 5% 1/8W		AR52L	2001-000429	C RESISTOR	1KOHM 5% 1/8W	
AR47	2001-000290	C RESISTOR	10KOHM 5% 1/8W		AR52R	2001-000429	C RESISTOR	1KOHM 5% 1/8W	
AR49	2001-000290	C RESISTOR	10KOHM 5% 1/8W		AR53L	2001-000522	C RESISTOR	22KOHM 5% 1/8W	
AR50	2001-000429	C RESISTOR	1KOHM 5% 1/8W		AR53R	2001-000522	C RESISTOR	22KOHM 5% 1/8W	
AR51	2001-000019	C RESISTOR	100OHM 5% 1/2W		AR54L	2001-000786	C RESISTOR	47KOHM 5% 1/8W	
AR52	2001-000019	C RESISTOR	100OHM 5% 1/2W		AR54R	2001-000786	C RESISTOR	47KOHM 5% 1/8W	
AR031	2001-000110	C RESISTOR	100OHM 5% 1/4W		AR55L	2001-000591	C RESISTOR	3.3KOHM 5% 1/8W	
AR101	2003-000008	M.RESISTOR	100OHM 5% 1W		AR55R	2001-000591	C RESISTOR	3.3KOHM 5% 1/8W	
AR102	2001-000660	C RESISTOR	33KOHM 5% 1/8W		AR603	2001-000591	C RESISTOR	3.3KOHM 5% 1/8W	
AR103	2001-000429	C RESISTOR	1KOHM 5% 1/8W		AR60A	2001-000273	C RESISTOR	100KOHM 5% 1/8W	
AR104	2001-000449	C RESISTOR	2.2KOHM 5% 1/8W		△ ARL1	3501-001197	RELAY	12VDC 0.54W	
AR10L	2001-000591	C RESISTOR	3.3KOHM 5% 1/8W		△ ARL2	3501-001197	RELAY	12VDC 0.54W	
AR10R	2001-000591	C RESISTOR	3.3KOHM 5% 1/8W		AZ203	UZ5.1B	Z DIODE	0403-000354	
AR11L	2001-000429	C RESISTOR	1KOHM 5% 1/8W		AZD20	UZP15B	Z DIODE	0403-000382	
AR11R	2001-000429	C RESISTOR	1KOHM 5% 1/8W		AZD21	UZP15B	Z DIODE	0403-000382	
AR12L	2001-000864	C RESISTOR	56KOHM 5% 1/8W		GND1	AH65-30013A	CLAMP-CORD		
AR12R	2001-000864	C RESISTOR	56KOHM 5% 1/8W		GND2	AH65-30013A	CLAMP-CORD		
AR13L	2001-000472	C RESISTOR	2.7KOHM 5% 1/8W		PCW1	3711-000588	CONNECTOR	BOX 10P	
AR13R	2001-000472	C RESISTOR	2.7KOHM 5% 1/8W		PW101	3711-000190	CONNECTOR	1WALL 2P	
AR14L	2001-000221	C RESISTOR	1.2KOHM 5% 1/8W		SPK	3716-001208	TERMINAL BLOCK	SOLDER 8P	
AR14R	2001-000221	C RESISTOR	1.2KOHM 5% 1/8W		XXXXX	3602-000147	FUSE-CLIP	RFS2	
AR16L	2001-000017	C RESISTOR	4.7OHM 5% 1/4W						
AR16R	2001-000017	C RESISTOR	4.7OHM 5% 1/4W						
AR17L	2003-000689	M.RESISTOR	4.7OHM 5% 1W						

△ Symbol No.	Part No.	Part Name	Description	Local
XXXXX	3602-000147	FUSE-CLIP	RFS5	
XXXXX	3602-000147	FUSE-CLIP	RFS6	
XXXXX	3602-000147	FUSE-CLIP	RFS7	
XXXXX	3602-000147	FUSE-CLIP	RFS8	
XXXXX	3602-000147	FUSE-CLIP	RFS9	
XXXXX	AH41-00673A	PCB AMP		

CD board

Block No. [0][4][0][0]

△ Symbol No.	Part No.	Part Name	Description	Local
IC101	KB9226	IC	1204-001799	
IC201	S5L9279X01	IC	1204-002230	
IC301	KA9258D	IC	1003-000179	
IC302	FAN8082	IC	1003-001418	
IC303	FAN8082	IC	1003-001418	
IC501	12L1616A	IC	1105-001261	
Q101	KSA812	TRANSISTOR	0501-000314	
Q302	KSC1008	TRANSISTOR	0501-000010	
Q303	KSC1008	TRANSISTOR	0501-000010	
D201	DAN217	DIODE	0401-000008	
D301	1N5392	DIODE	0402-000151	
D302	UZ3.9B	Z DIODE	0403-000344	
D304	UZ6.2BSB	Z DIODE	0403-000361	
D305	UZ2.7BSB	Z DIODE	0403-001220	
D306	SB01-05CP	DIODE	0404-000144	
D307	UZ4.7BM	Z DIODE	0403-000352	
C103	2203-000892	CHIP.CAPACITOR	4.7nF	
C104	2203-000892	CHIP.CAPACITOR	4.7nF	
C105	2401-000778	E CAPACITOR	220uF 20% 10V	
C107	2401-001625	E CAPACITOR	6.8uF 20% 50V	
C109	2203-000203	CHIP.CAPACITOR	100nF	
C110	2203-000203	CHIP.CAPACITOR	100nF	
C111	2203-001537	CHIP.CAPACITOR	1nF	
C112	2203-000203	CHIP.CAPACITOR	100nF	
C113	2203-000802	CHIP.CAPACITOR	33nF	
C114	2404-000148	C CAPACITOR	1uF	
C115	2203-000260	CHIP.CAPACITOR	10nF	
C116	2203-002494	CHIP CAPACITOR	470nF	
C117	2203-000260	CHIP.CAPACITOR	10nF	
C118	2401-000438	E CAPACITOR	10uF 20% 25V	
C119	2203-001137	CHIP.CAPACITOR	68nF	
C120	2203-000203	CHIP.CAPACITOR	100nF	
C121	2203-001064	CHIP.CAPACITOR	56nF 10% 50V	
C122	2203-000840	CHIP.CAPACITOR	0.39nF	
C123	2203-000495	CHIP.CAPACITOR	2.2nF	
C124	2203-000595	CHIP.CAPACITOR	0.22nF	
C125	2203-000203	CHIP.CAPACITOR	100nF	
C126	2203-000203	CHIP.CAPACITOR	100nF	
C127	2203-000802	CHIP.CAPACITOR	33nF	
C128	2401-000778	E CAPACITOR	220uF 20% 10V	
C129	2203-001537	CHIP.CAPACITOR	1nF	
C130	2203-000260	CHIP.CAPACITOR	10nF	
C131	2203-001551	CHIP.CAPACITOR	1.5nF	
C132	2203-000609	CHIP.CAPACITOR	22nF	
C133	2203-001137	CHIP.CAPACITOR	68nF	
C134	2401-000778	E CAPACITOR	220uF 20% 10V	
C135	2401-000778	E CAPACITOR	220uF 20% 10V	
C136	2202-000780	C CAPACITOR	100nF	
C140	2203-000239	CHIP CAPACITOR	0.1nF	
C141	2203-000239	CHIP CAPACITOR	0.1nF	
C142	2203-000239	CHIP CAPACITOR	0.1nF	
C143	2203-000260	CHIP.CAPACITOR	10nF	
C201	2203-000787	CHIP.CAPACITOR	0.33nF	
C202	2203-000203	CHIP.CAPACITOR	100nF	
C203	2401-000240	E CAPACITOR	100uF 20% 10V	
C204	2203-000787	CHIP.CAPACITOR	0.33nF	
C205	2203-000787	CHIP.CAPACITOR	0.33nF	
C207	2401-000240	E CAPACITOR	100uF 20% 10V	
C208	2203-000203	CHIP.CAPACITOR	100nF	

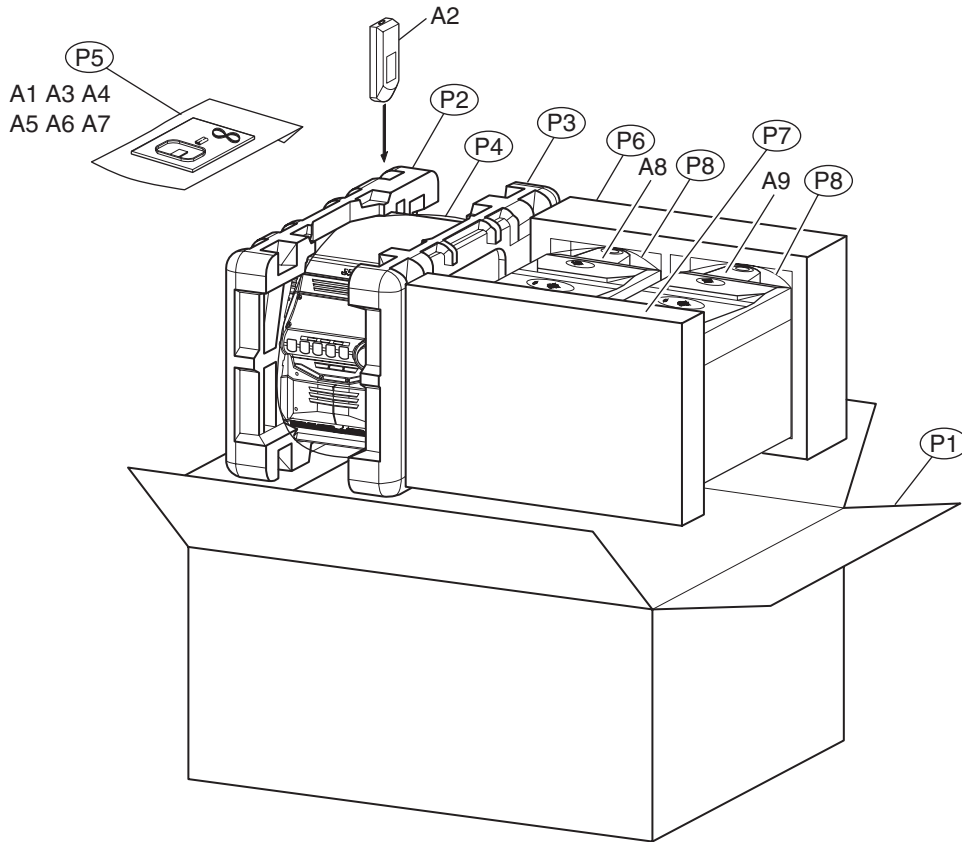
△ Symbol No.	Part No.	Part Name	Description	Local
C210	2401-000240	E CAPACITOR	100uF 20% 10V	
C211	2203-000203	CHIP.CAPACITOR	100nF	
C214	2203-000203	CHIP.CAPACITOR	100nF	
C215	2401-000240	E CAPACITOR	100uF 20% 10V	
C216	2203-000203	CHIP.CAPACITOR	100nF	
C217	2401-000240	E CAPACITOR	100uF 20% 10V	
C218	2203-000203	CHIP.CAPACITOR	100nF	
C219	2401-000240	E CAPACITOR	100uF 20% 10V	
C220	2203-000203	CHIP.CAPACITOR	100nF	
C221	2401-000240	E CAPACITOR	100uF 20% 10V	
C222	2203-001619	CHIP.CAPACITOR	0.027nF	
C223	2203-001619	CHIP.CAPACITOR	0.027nF	
C224	2202-000780	C CAPACITOR	100nF	
C226	2203-000203	CHIP.CAPACITOR	100nF	
C227	2203-000203	CHIP.CAPACITOR	100nF	
C230	2203-000239	CHIP.CAPACITOR	0.1nF	
C231	2203-000239	CHIP CAPACITOR	0.1nF	
C232	2203-000239	CHIP CAPACITOR	0.1nF	
C233	2203-000239	CHIP CAPACITOR	0.1nF	
C302	2401-001102	E CAPACITOR	330uF 20% 16V	
C303	2401-000240	E CAPACITOR	100uF 20% 10V	
C304	2401-000240	E CAPACITOR	100uF 20% 10V	
C308	2203-000203	CHIP.CAPACITOR	100nF	
C310	2203-000203	CHIP.CAPACITOR	100nF	
C401	2203-000787	CHIP.CAPACITOR	0.33nF	
C406	2203-000203	CHIP.CAPACITOR	100nF	
C407	2202-000780	C CAPACITOR	100nF	
C501	2203-000203	CHIP.CAPACITOR	100nF	
C502	2203-000203	CHIP.CAPACITOR	100nF	
C503	2203-000203	CHIP.CAPACITOR	100nF	
C206R	2401-001954	E CAPACITOR	4.7uF 20% 50V	
C209R	2203-000495	CHIP.CAPACITOR	2.2nF	
C212L	2401-001954	E CAPACITOR	4.7uF 20% 50V	
C213L	2203-000495	CHIP.CAPACITOR	2.2nF	
R101	2007-000457	CHIP RESISTOR	18KOHM 5% 1/8W	
R102	2007-000444	CHIP.RESISTOR	180KOHM 5% 1/8W	
R103	2007-000001	CHIP.RESISTOR	68KOHM 5% 1/8W	
R104	2007-000468	CHIP.RESISTOR	1KOHM 5% 1/8W	
R105	2007-000477	CHIP.RESISTOR	1MOHM 5% 1/8W	
R106	2007-001177	CHIP.RESISTOR	8.2KOHM 5% 1/8W	
R107	2007-000546	CHIP.RESISTOR	20KOHM 5% 1/8W	
R108	2001-000331	C RESISTOR	12KOHM 5% 1/8W	
R109	2007-000300	CHIP.RESISTOR	10KOHM 5% 1/8W	
R110	2007-000300	CHIP.RESISTOR	10KOHM 5% 1/8W	
R111	2007-000282	CHIP.RESISTOR	100KOHM 5% 1/8W	
R112	2007-001039	CHIP.RESISTOR	56KOHM 5% 1/8W	
R113	2007-000409	CHIP.RESISTOR	15KOHM 5% 1/8W	
R114	2007-000941	CHIP.RESISTOR	47KOHM 5% 1/8W	
R115	2007-000338	CHIP.RESISTOR	120KOHM 5% 1/8W	
R116	2007-000338	CHIP.RESISTOR	120KOHM 5% 1/8W	
R117	2007-001039	CHIP.RESISTOR	56KOHM 5% 1/8W	
R118	2007-001208	CHIP.RESISTOR	82KOHM 5% 1/8W	
R119	2007-000653	CHIP.RESISTOR	27KOHM 5% 1/8W	
R120	2007-000941	CHIP.RESISTOR	47KOHM 5% 1/8W	
R121	2007-000308	CHIP.RESISTOR	10OHM 5% 1/8W	
R122	2007-001208	CHIP.RESISTOR	82KOHM 5% 1/8W	
R123	2007-001039	CHIP.RESISTOR	56KOHM 5% 1/8W	
R124	2007-001039	CHIP.RESISTOR	56KOHM 5% 1/8W	
R125	2007-001039	CHIP.RESISTOR	56KOHM 5% 1/8W	
R126	2007-001039	CHIP.RESISTOR	56KOHM 5% 1/8W	
R127	2007-001208	CHIP.RESISTOR	82KOHM 5% 1/8W	
R128	2007-001216	CHIP.RESISTOR	82OHM 5% 1/8W	
R201	2007-000290	CHIP.RESISTOR	100OHM 5% 1/8W	
R202	2007-000282	CHIP.RESISTOR	100KOHM 5% 1/8W	
R207	2007-000477	CHIP.RESISTOR	1MOHM 5% 1/8W	
R210	2007-000872	CHIP.RESISTOR	4.7KOHM 5% 1/8W	
R211	2007-000300	CHIP.RESISTOR	10KOHM 5% 1/8W	
R212	2007-000572	CHIP.RESISTOR	220OHM 5% 1/8W	
R213	2007-000572	CHIP.RESISTOR	220OHM 5% 1/8W	
R214	2007-000572	CHIP.RESISTOR	220OHM 5% 1/8W	
R215	2007-000572	CHIP.RESISTOR	220OHM 5% 1/8W	
R216	2007-000931	CHIP.RESISTOR	470OHM 5% 1/8W	
R217	2007-000931	CHIP.RESISTOR	470OHM 5% 1/8W	

△ Symbol No.	Part No.	Part Name	Description	Local
R302	2007-001216	CHIP.RESISTOR	820HM 5% 1/8W	
R303	2007-001216	CHIP.RESISTOR	820HM 5% 1/8W	
R304	2007-000468	CHIP.RESISTOR	1KOHM 5% 1/8W	
R401	2007-000401	CHIP.RESISTOR	150OHM 5% 1/8W	
R402	2007-000300	CHIP.RESISTOR	10KOHM 5% 1/8W	
R403	2007-000468	CHIP.RESISTOR	1KOHM 5% 1/8W	
R404	2007-000872	CHIP.RESISTOR	4.7KOHM 5% 1/8W	
R405	2007-000872	CHIP.RESISTOR	4.7KOHM 5% 1/8W	
R406	2007-000931	CHIP.RESISTOR	470OHM 5% 1/8W	
R407	2007-000931	CHIP.RESISTOR	470OHM 5% 1/8W	
R408	2007-000931	CHIP.RESISTOR	470OHM 5% 1/8W	
R409	2007-000941	CHIP.RESISTOR	47KOHM 5% 1/8W	
R411	2007-000872	CHIP.RESISTOR	4.7KOHM 5% 1/8W	
R412	2007-000872	CHIP.RESISTOR	4.7KOHM 5% 1/8W	
R420	2007-000468	CHIP.RESISTOR	1KOHM 5% 1/8W	
R421	2001-000780	C RESISTOR	470OHM 5% 1/8W	
R422	2001-000780	C RESISTOR	470OHM 5% 1/8W	
R423	2001-000780	C RESISTOR	470OHM 5% 1/8W	
R425	2001-000780	C RESISTOR	470OHM 5% 1/8W	
R426	2001-000780	C RESISTOR	470OHM 5% 1/8W	
R427	2001-000780	C RESISTOR	470OHM 5% 1/8W	
R428	2001-000780	C RESISTOR	470OHM 5% 1/8W	
R429	2007-000468	CHIP.RESISTOR	1KOHM 5% 1/8W	
R203L	2007-000282	CHIP.RESISTOR	100KOHM 5% 1/8W	
R204L	2007-000290	CHIP.RESISTOR	100OHM 5% 1/8W	
CW101	3708-001252	CONNECTOR	16P	
CW102	AH39-20561P	LEAD CONNECTOR		
CW103	3708-001131	CONNECTOR	5P	
CW104	3711-003379	CONNECTOR	NOWALL	
CW105	3708-001438	CONNECTOR	22P	
CW106	AH39-00060A	LEAD CONNECTOR		
CW107	3711-000906	CONNECTOR	BOX 3P	
J0	2007-000033	CHIP RESISTOR	0OHM 5% 1/4W	
J2	2007-000033	CHIP RESISTOR	0OHM 5% 1/4W	
J3	2007-000029	CHIP.RESISTOR	0OHM 5% 1/8W	
J5	2007-000033	CHIP RESISTOR	0OHM 5% 1/4W	
J7	2007-000033	CHIP RESISTOR	0OHM 5% 1/4W	
J10	2007-000033	CHIP RESISTOR	0OHM 5% 1/4W	
J12	2007-000033	CHIP RESISTOR	0OHM 5% 1/4W	
J13	2007-000029	CHIP.RESISTOR	0OHM 5% 1/8W	
J16	2007-000033	CHIP RESISTOR	0OHM 5% 1/4W	
J17	2007-000029	CHIP.RESISTOR	0OHM 5% 1/8W	
J18	2007-000029	CHIP.RESISTOR	0OHM 5% 1/8W	
J19	2007-000029	CHIP.RESISTOR	0OHM 5% 1/8W	
J20	2007-000029	CHIP.RESISTOR	0OHM 5% 1/8W	
J21	2007-000029	CHIP.RESISTOR	0OHM 5% 1/8W	
J22	2007-000029	CHIP.RESISTOR	0OHM 5% 1/8W	
J24	2007-000029	CHIP.RESISTOR	0OHM 5% 1/8W	
J25	2007-000033	CHIP RESISTOR	0OHM 5% 1/4W	
J26	2007-000029	CHIP.RESISTOR	0OHM 5% 1/8W	
J29	2007-000029	CHIP.RESISTOR	0OHM 5% 1/8W	
J30	2007-000029	CHIP.RESISTOR	0OHM 5% 1/8W	
J31	2007-000033	CHIP RESISTOR	0OHM 5% 1/4W	
J32	2007-000029	CHIP.RESISTOR	0OHM 5% 1/8W	
J35	2007-000029	CHIP.RESISTOR	0OHM 5% 1/8W	
J36	2007-000029	CHIP.RESISTOR	0OHM 5% 1/8W	
J37	2007-000033	CHIP RESISTOR	0OHM 5% 1/4W	
J38	2007-000029	CHIP.RESISTOR	0OHM 5% 1/8W	
J42	2007-000033	CHIP RESISTOR	0OHM 5% 1/4W	
JW22	3301-000297	BEAD-AXIAL		
XT201	2802-000211	C.RESONATOR	16.93MHz 0.5%	
XXXXX	AH41-00665A	PCB CD		

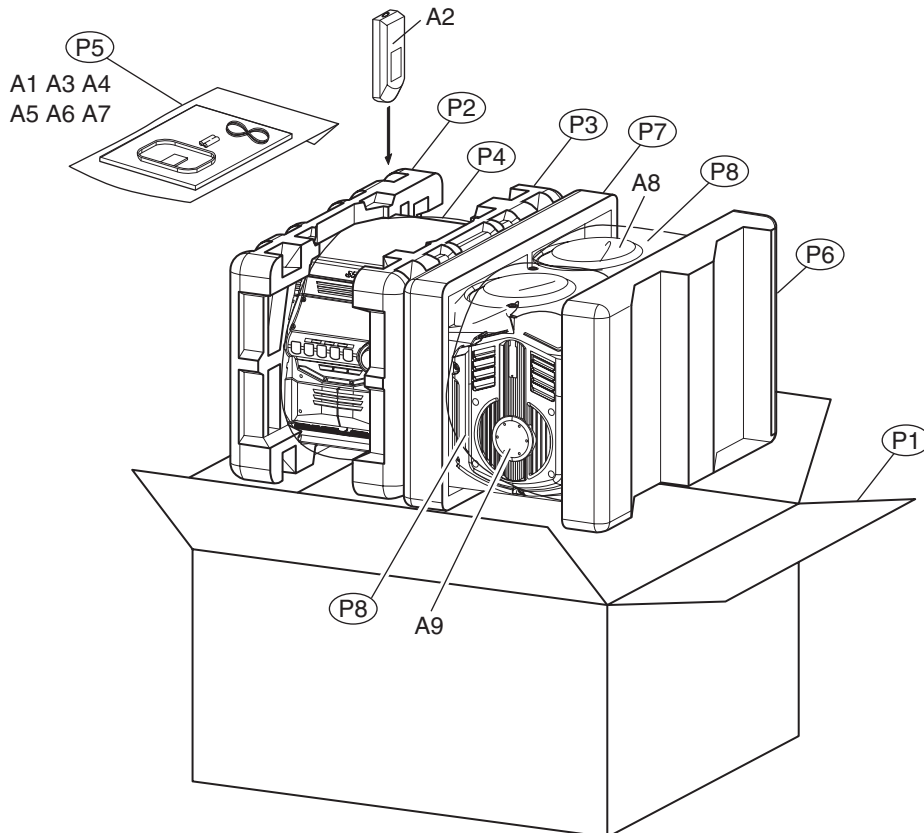
Packing materials and accessories parts list

(MX-GB6)

Block No. M 3 M M



(MX-GB5)



Packing and Accessories

Block No. [M][3][M][M]

△ Symbol No.	Part No.	Part Name	Description	Local
A 1	AH68-01471A	INST BOOK	LVT1188-001C ENG	J
A 1	AH68-01471C	INST BOOK	LVT1188-002B ENG FRE	C
A 2	AH59-01163F	REMOCON-ASSY	RM-MXGB6J	
A 3	AH38-10001A	FM-WIRE		
A 4	AH42-20001P	ANT LOOP		
A 5	-----	BATTERY	(x2)	
A 6	AH68-00415J	IMPORTANT CARD		
A 7	AH68-00416A	SAFETY CARD		
A 8	MXGB6-SPBOX-L	SPEAKER SYSTEM L	AH81-01406A	GB6
A 8	MXGB5-SPBOX-L	SPEAKER SYSTEM L	AH81-01405A	GB5
A 9	MXGB6-SPBOX-R	SPEAKER SYSTEM R	AH81-01406B	GB6
A 9	MXGB5-SPBOX-R	SPEAKER SYSTEM R	AH81-01405B	GB5
P 1	AH69-01131B	MASTER-CARTON		GB5J
P 1	AH69-01131C	MASTER-CARTON		GB5C
P 1	AH69-01132B	MASTER-CARTON		GB6J
P 1	AH69-01132C	MASTER-CARTON		GB6C
P 2	AH69-01128A	CUSHION-L	FOR SET	GB5
P 2	AH69-01128B	CUSHION-L	FOR SET	GB6
P 3	AH69-01129A	CUSHION-R	FOR SET	GB5
P 3	AH69-01129B	CUSHION-R	FOR SET	GB6
P 4	6902-000473	BAG-PE	FOR SET	
P 5	6902-000385	PAG-PE	FOR ACCESSORIES	
P 6	AH81-01405S	CUSHION-TOP	FOR SPEAKER	GB5
P 6	AH81-01406U	CUSHION-TOP	FOR SPEAKER	GB6
P 7	AH81-01405T	CUSHION-BOTTOM	FOR SPEAKER	GB5
P 7	AH81-01406V	CUSHION-BOTTOM	FOR SPEAKER	GB6
P 8	AH81-00631U	PE-BAG	FOR SPEAKER(x2)	GB5
P 8	AH81-01454C	PE-BAG	FOR SPEAKER(x2)	GB6